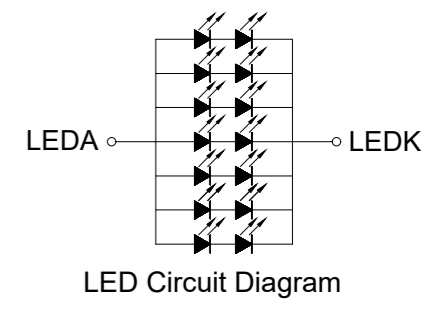
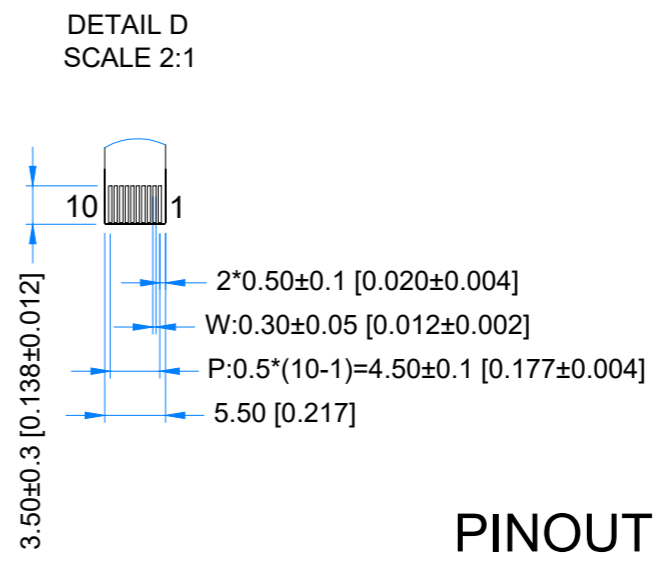
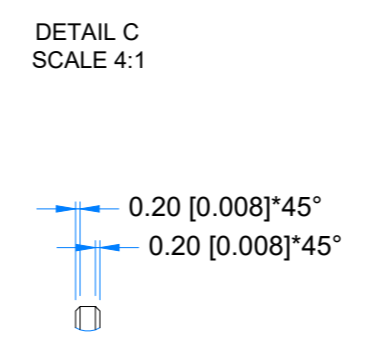
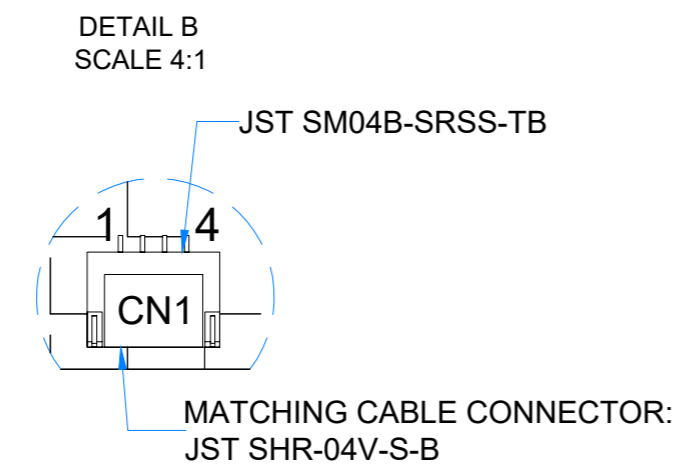
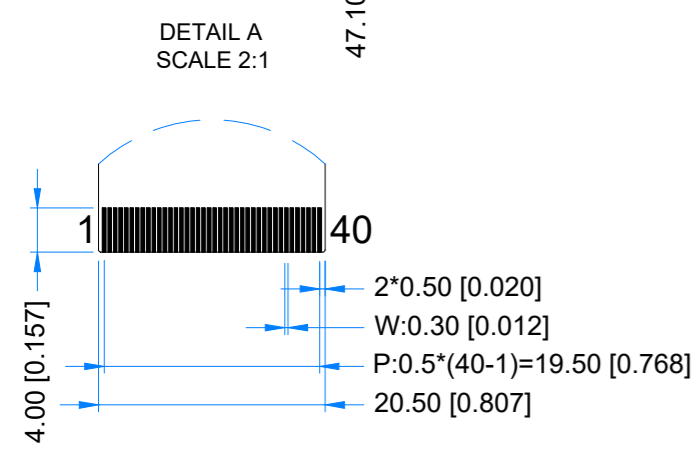
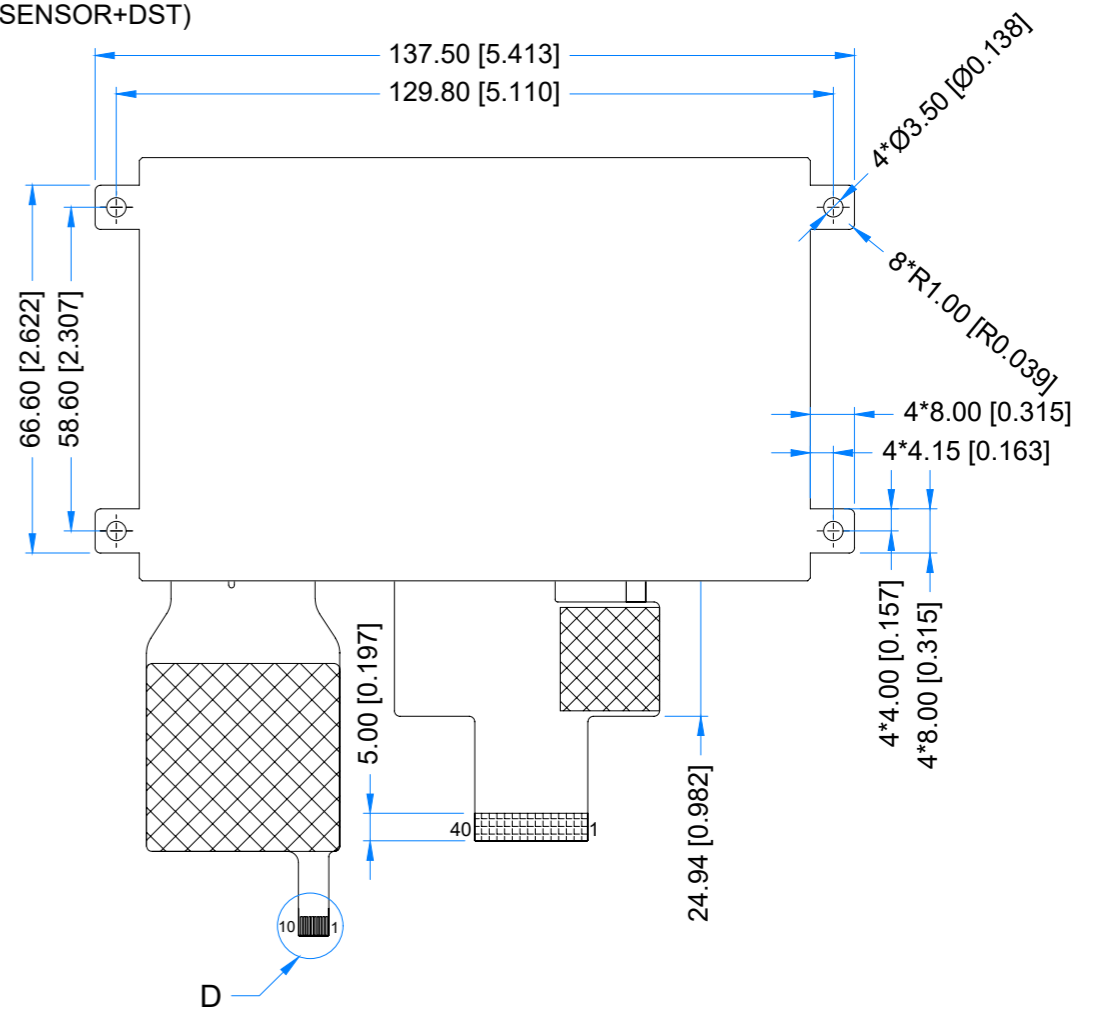
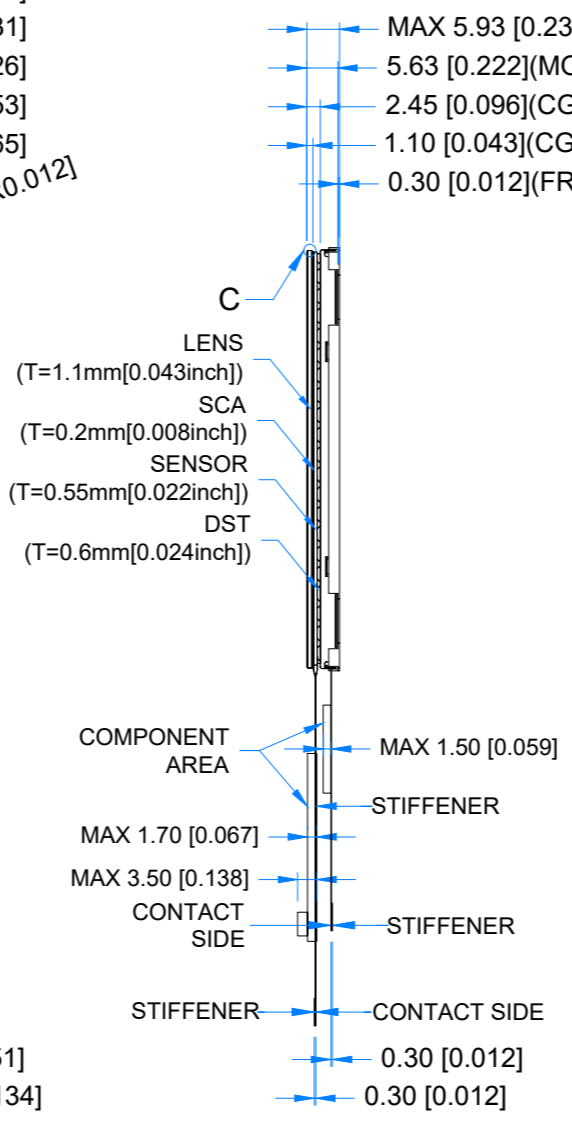
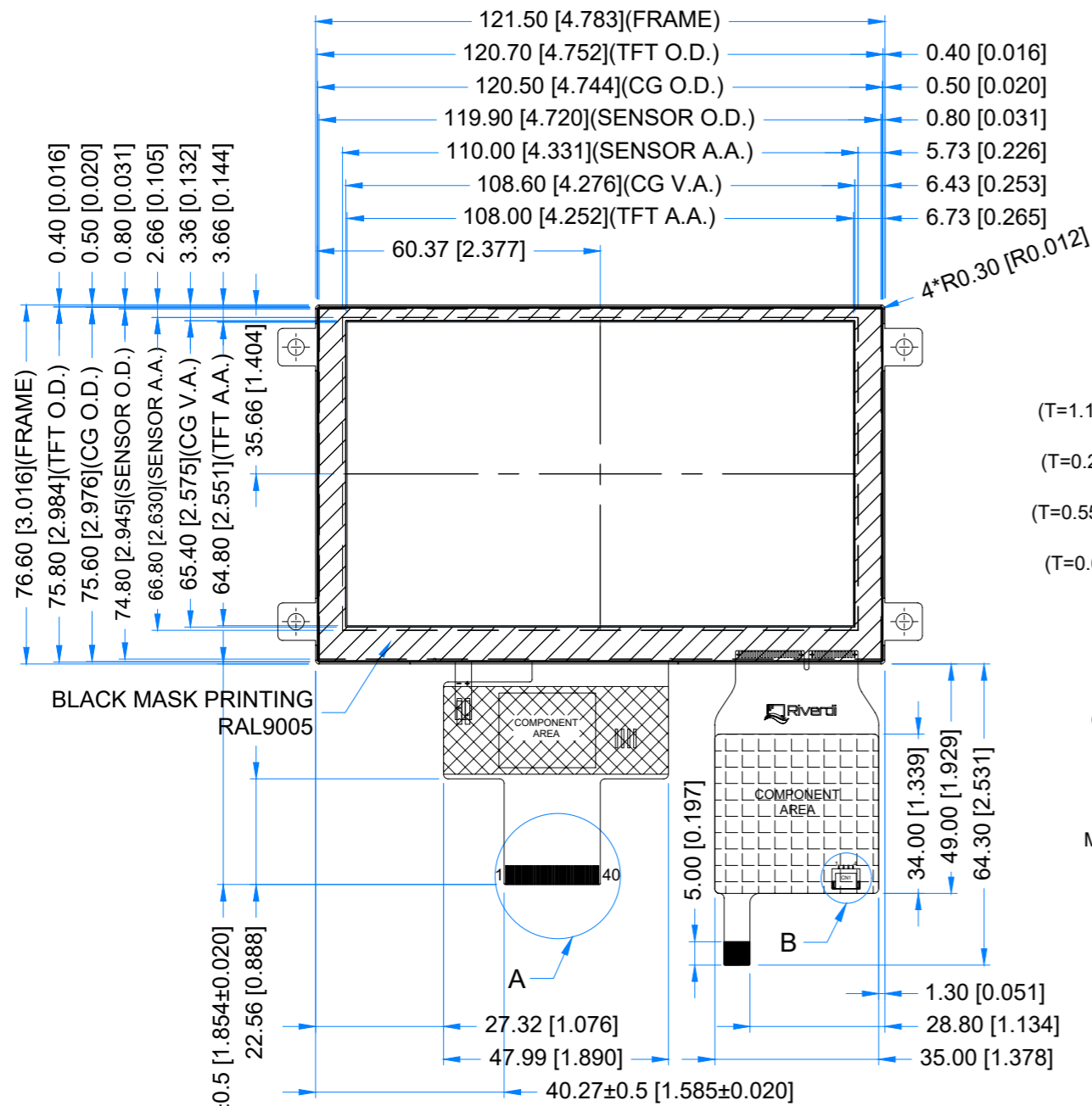


Revision:	Changes:	Date:
1.0	Initial Case	2022.09.21



PINOUT ON THE 2ND PAGE

TFT NOTES:
 1. DISPLAY TYPE: TRANSMISSIVE, NORMALLY BLACK,IPS
 2. RESOLUTION: 800x480
 3. VIEWING ANGLE: FREE
 4. MODULE SURFACE LUMINANCE: 800cd/m²
 5. DRIVER IC: ST7262-G4
 6. BACKLIGHT: 14LEDS, V_f=12.0V, I_f=140mA

TP NOTES:
 1. TP STRUCTURE: G+G
 2. CG THICKNESS: 1.10mm [0.043inch]
 3. DRIVER IC: ILI2132A
 4. INTERFACE: USB; I2C; OPTIONAL UART
 5. OPERATING VOLTAGE: 3.3V(I2C); 5.0V(USB)

GENERAL NOTES:
 1. AIR BONDING BETWEEN TFT AND PCAP
 2. OPERATING TEMPERATURE: -20°C ~ 70°C
 3. STORAGE TEMPERATURE: -30°C ~ 80°C
 4. WITHOUT INDIVIDUAL TOLERANCE: ±0.3mm[0.012inch]
 5. RoHS3 COMPLIANT

PN: RVT50HQLFWCA0		
SN:		
DRAWN: M.Natywa	2022.09.21	1:1.37
CHECKED: Carol Gao	2022.09.28	[mm]
APPR:	ISO A3	P. 1 of 1



TFT CONNECTOR			
Pin No.	Desc.	Pin No.	Desc.
1	NC	21	RXIN3+
2	VDD	22	GND
3	VDD	23	NC
4	NC	24	NC
5	RESET	25	GND
6	STBYB	26	NC
7	GND	27	NC
8	RXIN0-	28	SELB
9	RXIN0+	29	NC
10	GND	30	GND
11	RXIN1-	31	LEDK
12	RXIN1+	32	LEDK
13	GND	33	L/R
14	RXIN2-	34	U/D
15	RXIN2+	35	NC
16	GND	36	NC
17	RXCLKIN-	37	NC
18	RXCLKIN+	38	NC
19	GND	39	LEDA
20	RXIN3-	40	LEDA

TOUCH PANNEL CONNECTOR			
Pin No.	Desc.	Pin No.	Desc.
1	USB_GND	6	I2C_VDD(3.3V)
2	USB_VDD(5.0V)	7	I2C_RST
3	USB_D-	8	I2C_SCL
4	USB_D+	9	I2C_INT
5	I2C_GND	10	I2C_SDA

CN1			
Pin No.	Desc.	Pin No.	Desc.
1	USB_VDD(5.0V)	3	USB_D+
2	USB_D-	4	USB_GND