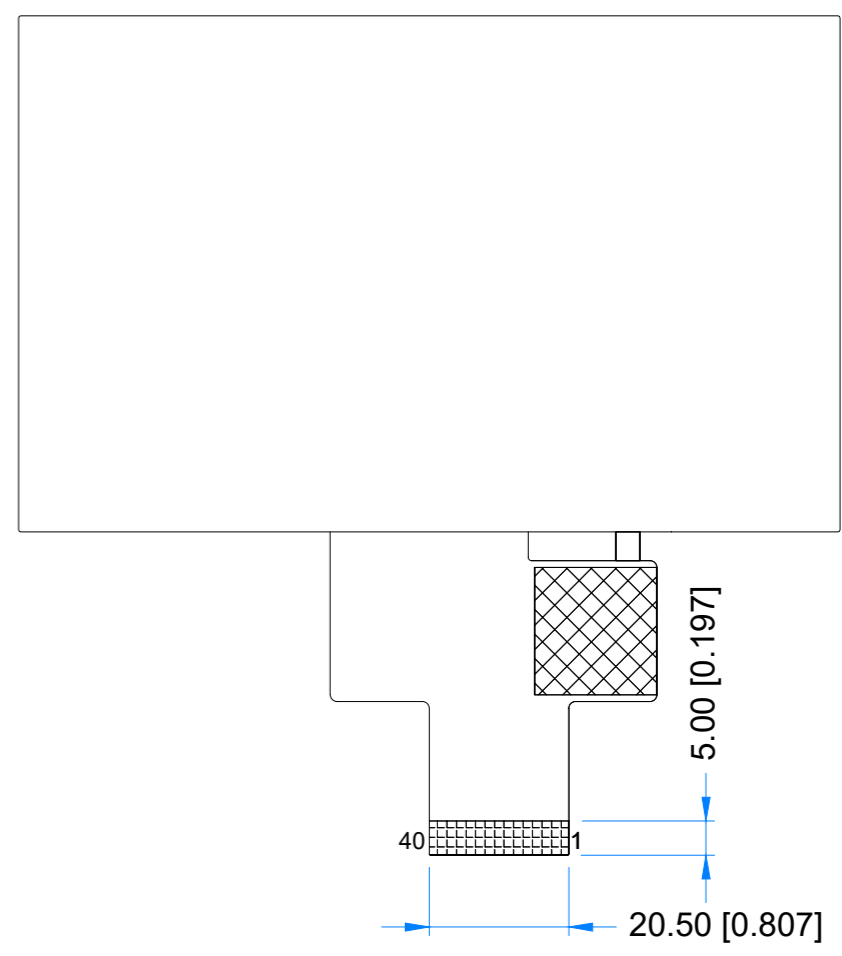
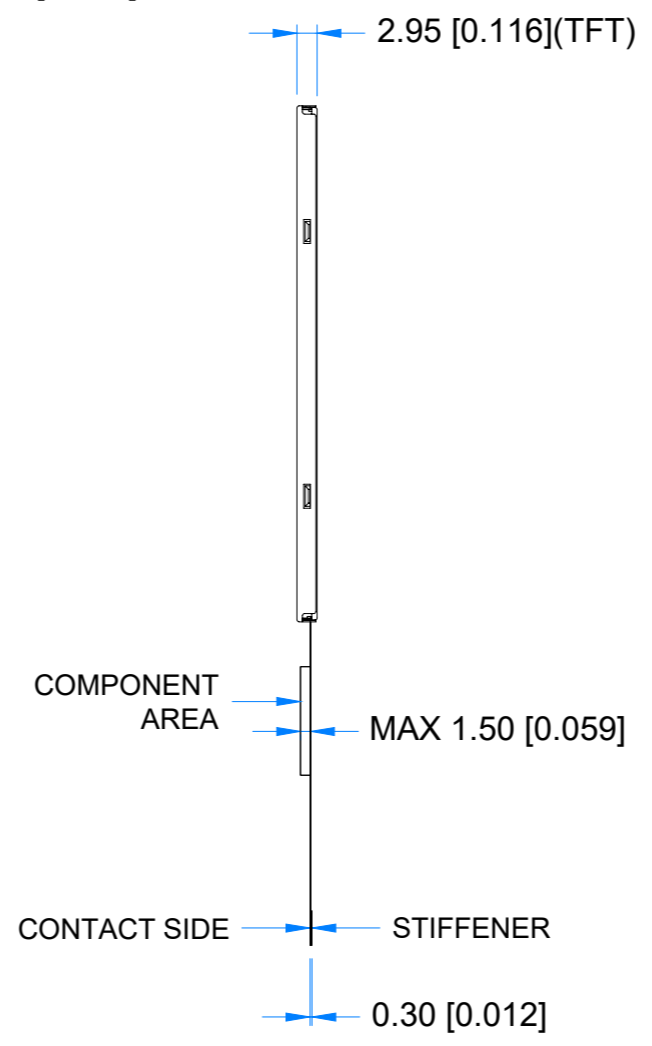
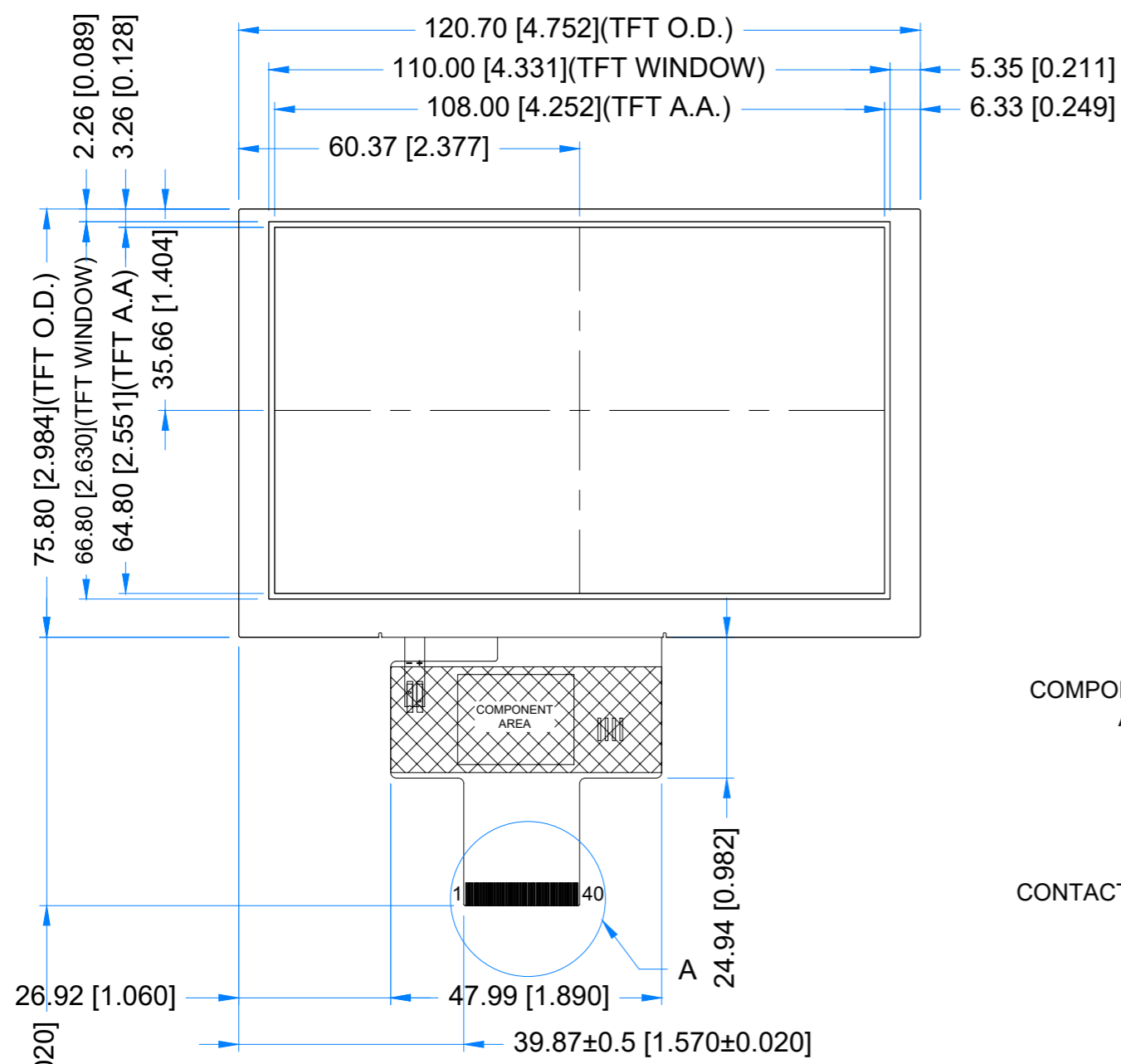
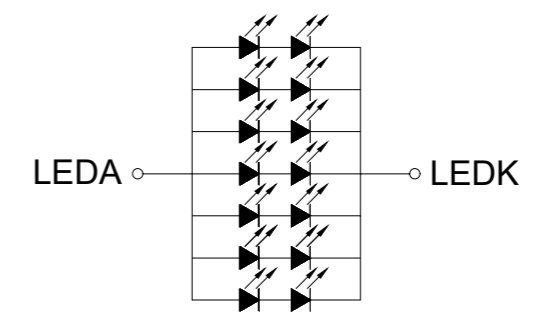
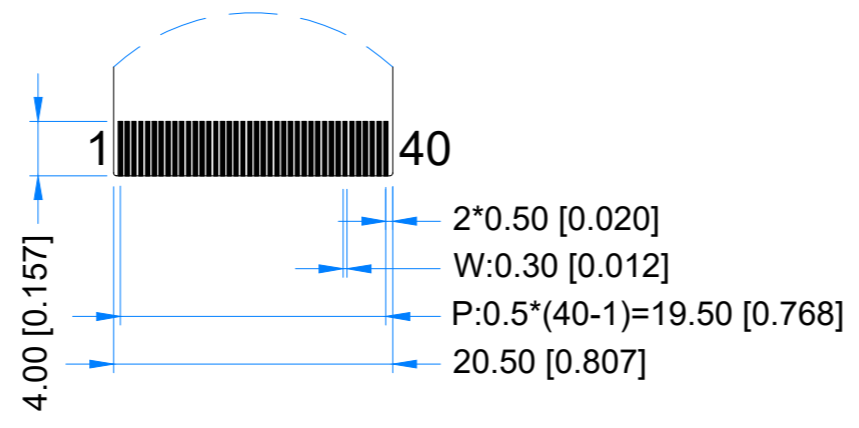


Revision:	Changes:	Date:
1.0	Initial Case	2022.09.15



DETAIL A
SCALE 2:1



LED Circuit Diagram

PINOUT ON THE 2ND PAGE

TFT NOTES:
1. DISPLAY TYPE: TRANSMISSIVE, NORMALLY BALCK,IPS
2. RESOLUTION: 800x480
3. VIEWING ANGLE: FREE
4. DRIVER IC: ST7262-G4
5. LOGIC VOLTAGE: 3.3V
6. SURFACE LUMINANCE: 1000cd/m²
7. BACKLIGHT: 14LEDS, V_f=12.0V, I_f=140mA

GENERAL NOTES:
1. OPERATING TEMPERATURE: -20°C ~ 70°C
2. STORAGE TEMPERATURE: -30°C ~ 80°C
3. WITHOUT INDIVIDUAL TOLERANCE:
±0.3mm[0.012inch]
4. RoHS3 COMPLIANT

PN: RVT50HQLNWN00			
SN: Carol Gao			
DRAWN: M.Natywa	2022.09.15	1:1.11	
CHECKED: Carol Gao	2022.09.16	[mm]	
APPR:			
		ISO A3	P. 1 of 1



TFT CONNECTOR			
Pin No.	Desc.	Pin No.	Desc.
1	NC	21	RXIN3+
2	VDD	22	GND
3	VDD	23	NC
4	NC	24	NC
5	RESET	25	GND
6	STBYB	26	NC
7	GND	27	NC
8	RXIN0-	28	SELB
9	RXIN0+	29	NC
10	GND	30	GND
11	RXIN1-	31	LEDK
12	RXIN1+	32	LEDK
13	GND	33	L/R
14	RXIN2-	34	U/D
15	RXIN2+	35	NC
16	GND	36	NC
17	RXCLKIN-	37	NC
18	RXCLKIN+	38	NC
19	GND	39	LEDA
20	RXIN3-	40	LEDA