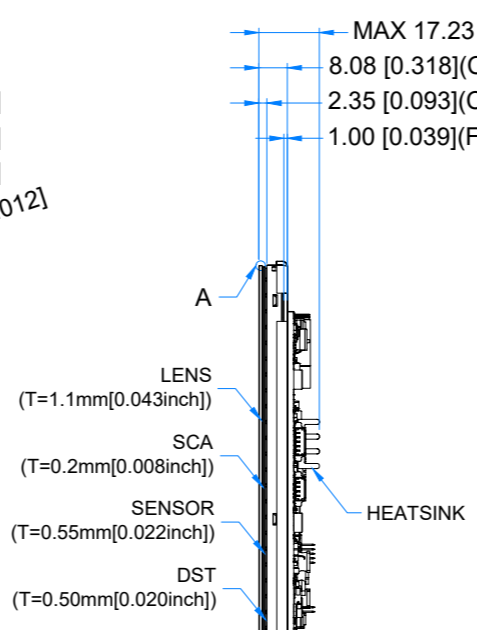
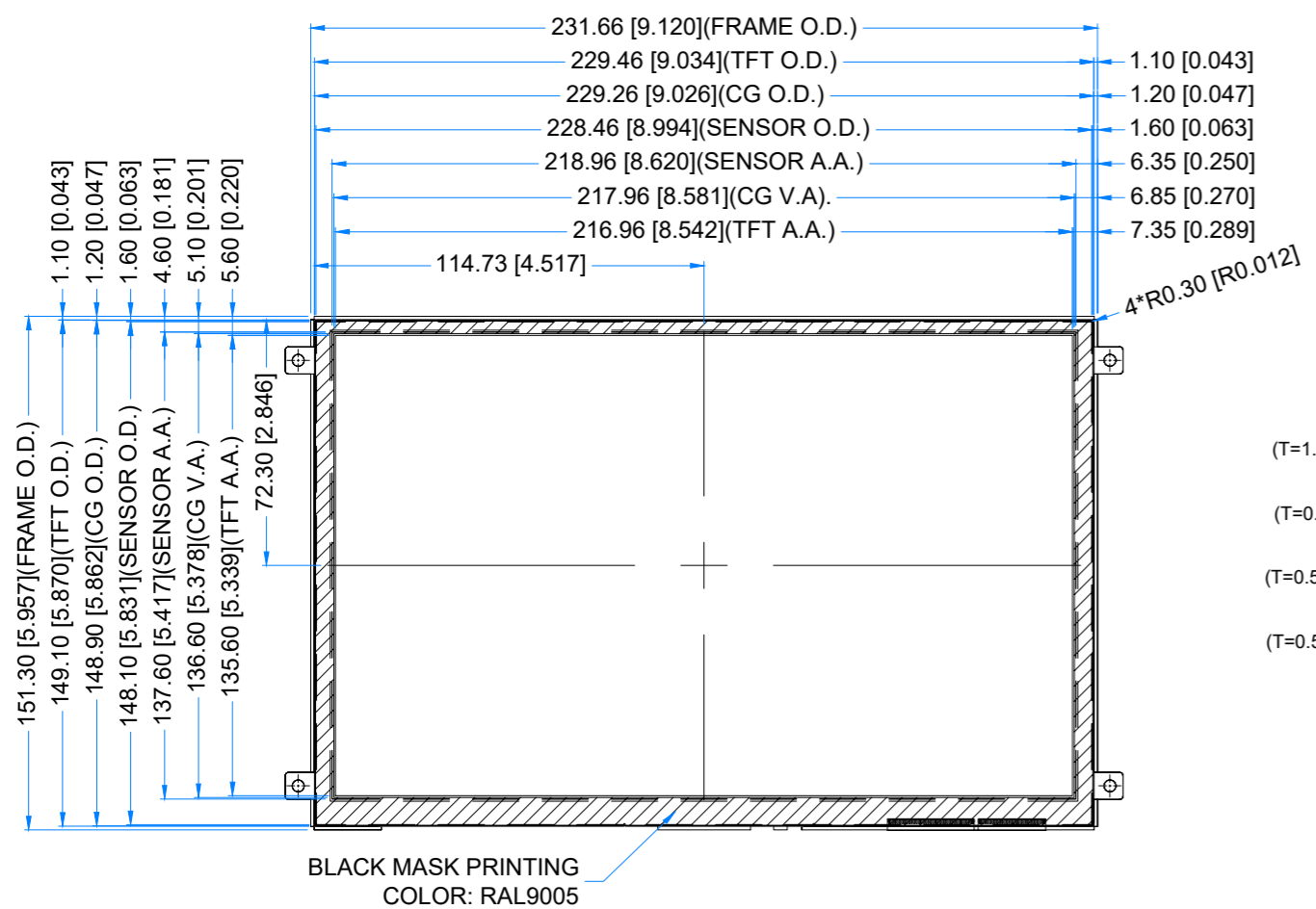
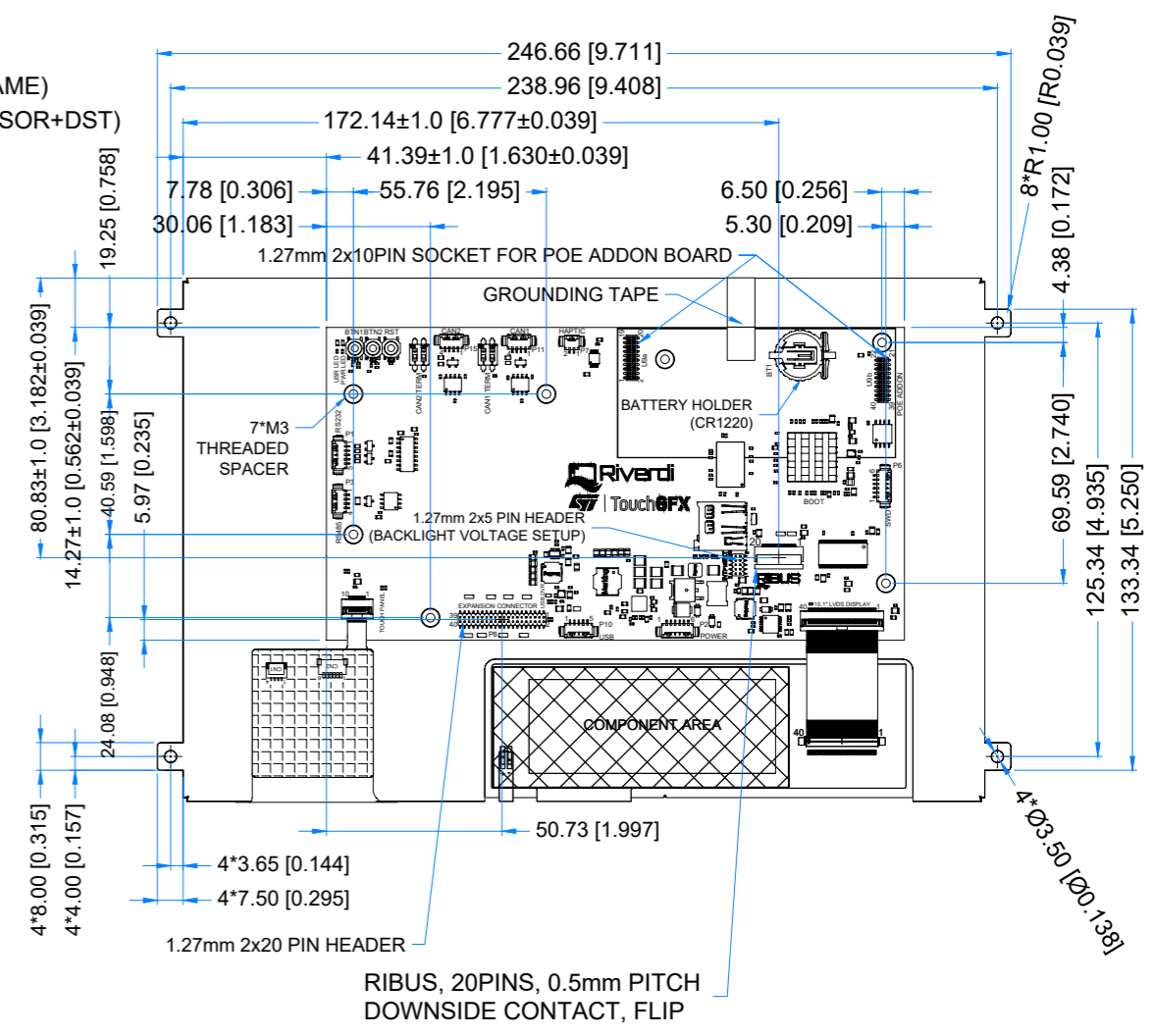


| Revision: | Changes: | Date: |
|-----------|--------------------------------------|------------|
| 1.0 | Initial Case | 2022.01.11 |
| 1.1 | PCB Update And Adding Grounding Tape | 2022.07.04 |
| 1.2 | PCB Update - 101STM32H7_Rev1.4 | 2023.03.06 |

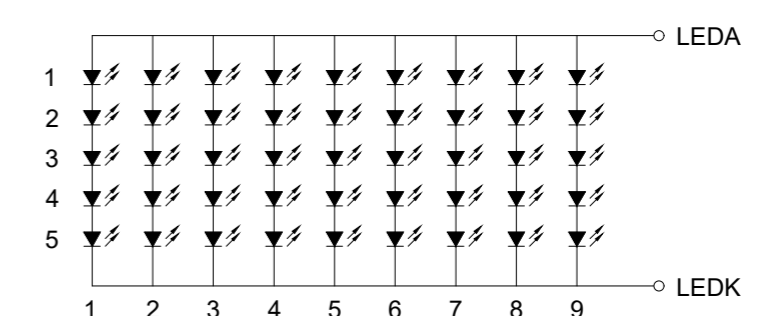


DETAIL A
SCALE 4:1



| 1.25 MM MOLEX CONNECTORS | | |
|--------------------------|------------|------------|
| NO. | TYPE | MATE WITH |
| P1 (RS232) | 53261-0571 | 51021-0500 |
| P2 (POWER) | 53261-0671 | 51021-0600 |
| P3 (RS485) | 53261-0471 | 51021-0400 |
| P6 (SWD) | 53261-0671 | 51021-0600 |
| P7 (HAPTIC) | 53261-0271 | 51021-0200 |
| P10 (USB) | 53261-0571 | 51021-0500 |
| P11 (CAN1) | 53261-0471 | 51021-0400 |
| P15 (CAN2) | 53261-0471 | 51021-0400 |

| 1.27MM PIN HEADER AND SOCKET | | |
|------------------------------|----------------|-------------------------------|
| NO. | TYPE | MATE WITH |
| P8 | CH51402M100-0P | CBC1402D100 OR CBC1402M100-2P |
| U9a & U9b | PBHTD20SPP-JL | CH51202V100 OR CH51202M100-0P |
| P13 | 62131021021 | 62200213421 (JUMPER) |



LED Diagram Circuit

LCD NOTES:
 1. LCD TYPE: TRANSMISSIVE, NORMALLY BLACK, IPS
 2. RESOLUTION: 1280x800
 3. VIEWING ANGLE: FREE
 4. SURFACE LUMINANCE: 800 cd/m²
 5. MCU ON THE BOARD: STM32H757XIH6
 6. EXTERNAL FLASH MEMORY SIZE: 512Mbit
 7. EXTERNAL SDRAM SIZE: 64Mbit (32-bit access)
 8. SUPPLY VOLTAGE FOR MODULE: 6.0V - 48.0V

TP NOTES:
 1. TP STRUCTURE: G+G
 2. CG THICKNESS: 1.10mm
 3. SURFACE HARDNESS: 7H
 4. DRIVER IC: ILI2132A
 5. INTERFACE: CONNECTED TO MCU VIA I2C

GENERAL NOTES:
 1. ZERO BAD PIXELS FOR TFT
 2. AIR BONDING
 3. OPERATING TEMPERATURE: -20°C ~ 70°C
 4. STORAGE TEMPERATURE: -30°C ~ 80°C
 5. WITHOUT INDIVIDUAL TOLERANCE: ±0.3mm
 6. TOLERANCE OF PCB PLACEMENT: ±0.5mm [0.020inch]
 7. RoHS3 COMPLIANT

| | | | |
|--------------------|------------|--------|--|
| PN: RVT101HVSWCA0 | | | |
| SN: | | | |
| DRAWN: M.Natywa | 2023.03.06 | 1:2.14 | |
| CHECKED: Carol Gao | 2023.03.06 | [mm] | |
| APPR: | | ISO A3 | |