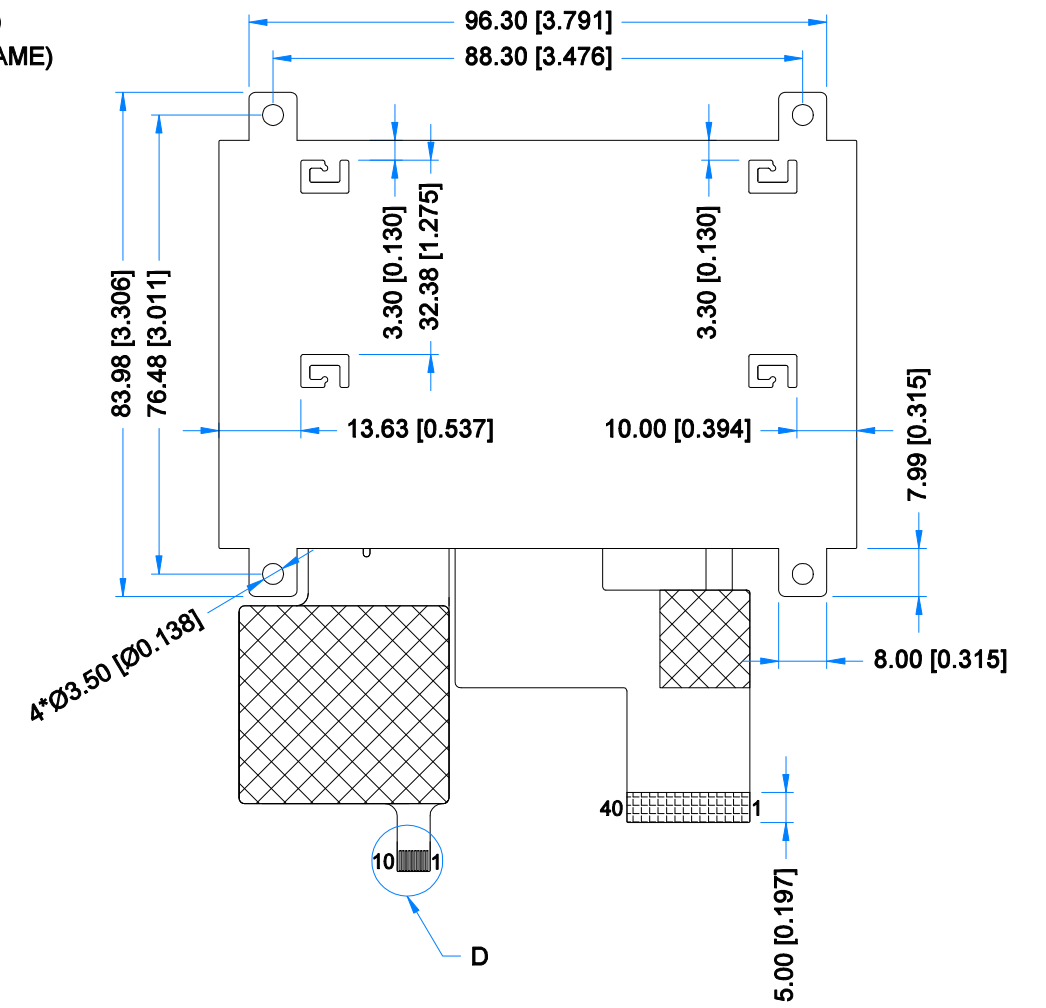
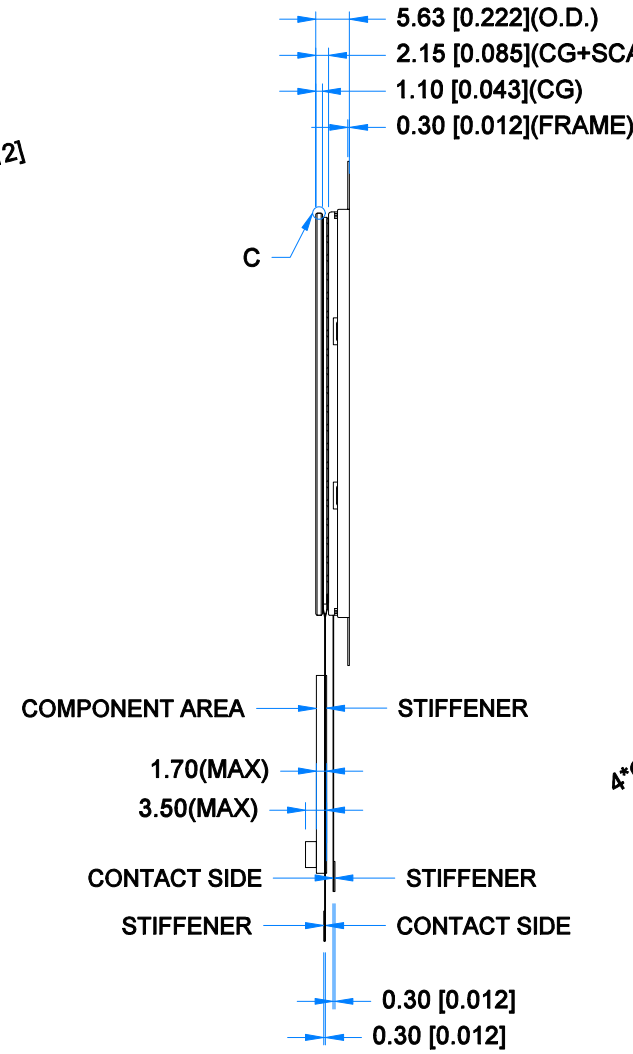
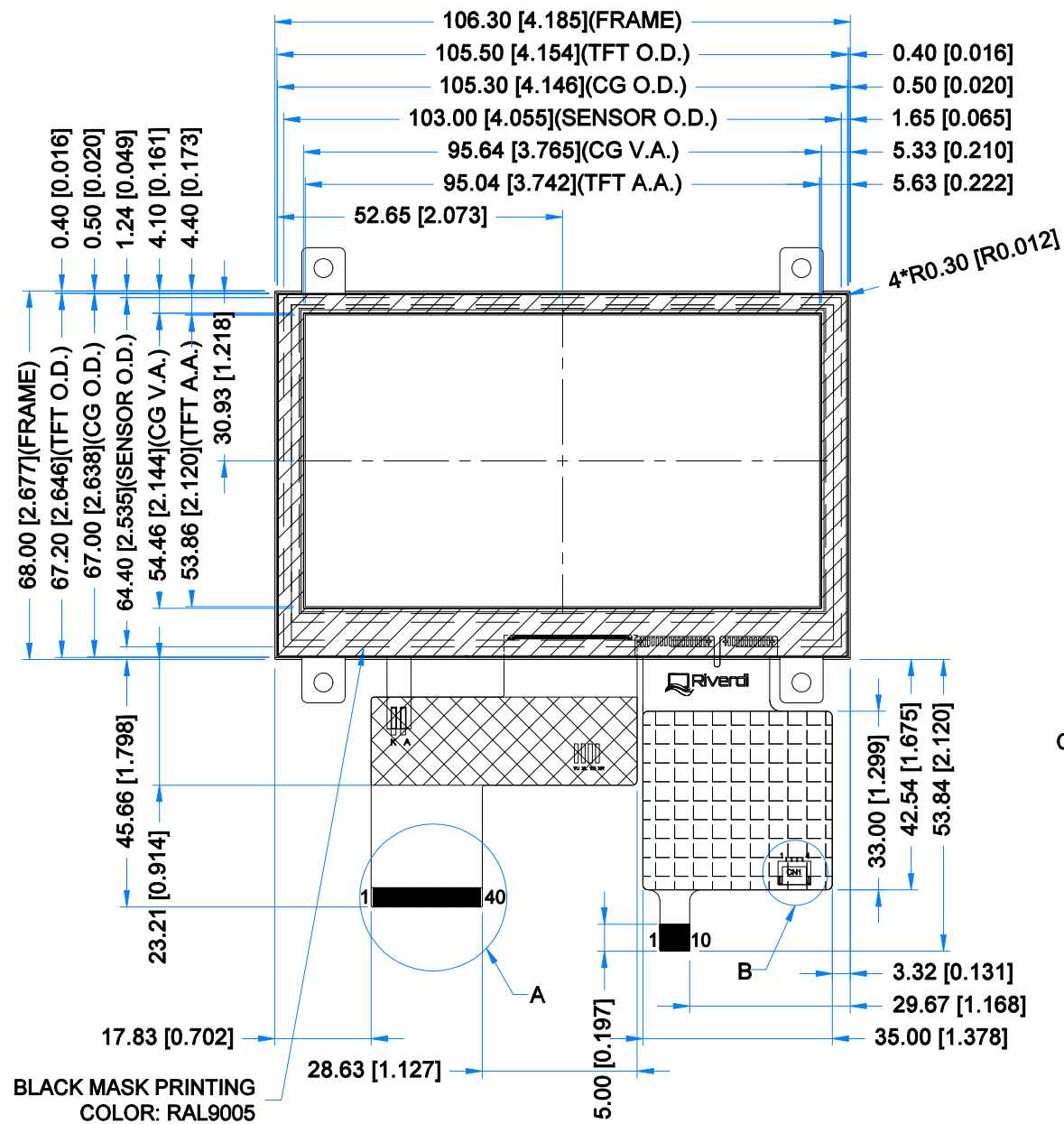
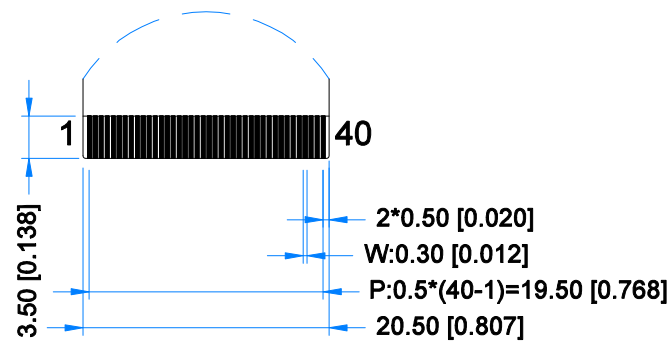


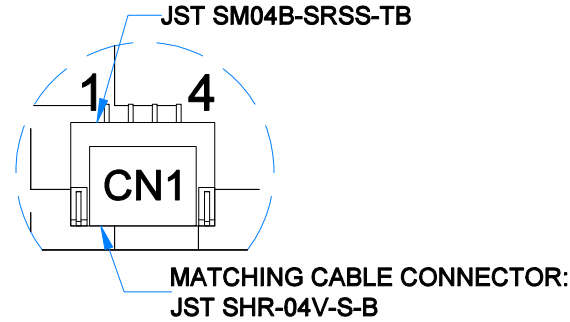
| Revision: | Changes: | Date: |
|-----------|--------------|------------|
| 1.0 | Initial Case | 2021.07.09 |
| 1.1 | FPC Update | 2021.08.26 |



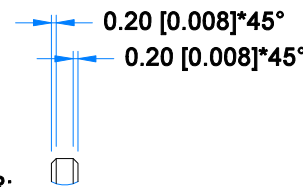
DETAIL A
SCALE 2:1



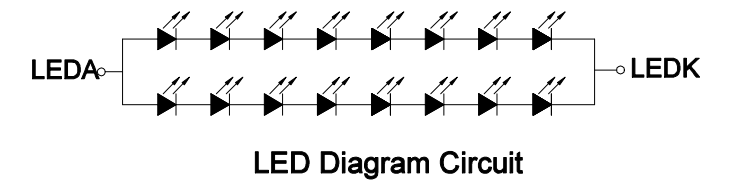
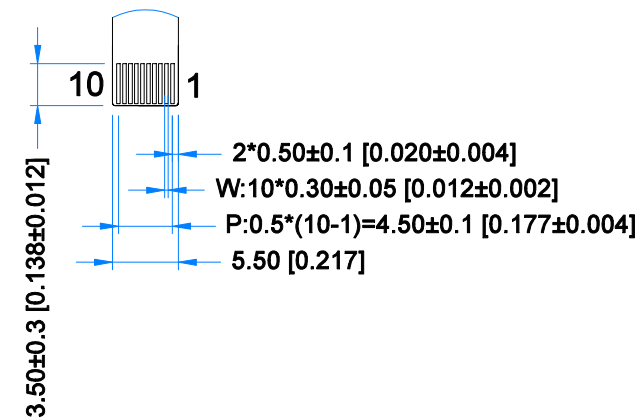
DETAIL B
SCALE 4:1



DETAIL C
SCALE 4:1



DETAIL D
SCALE 2:1



TFT NOTES:
 1. LCD TYPE: TRANSMISSIVE, NORMALLY BLACK, IPS
 2. RESOLUTION: 480x272
 3. VIEWING ANGLE: FREE
 4. INTERFACE: RGB
 5. LCD DRIVER: SC7283
 6. LOGIC VOLTAGE: 3.3V
 7. BACKLIGHT: 16PCS LED, $V_f=25.6V(TYP)$, $I_f=40mA(TYP)$

TP NOTES:
 1. TP STRUCTURE: G+G
 2. CG THICKNESS: 1.10mm [0.043inch]
 3. DRIVER IC: ILI2132A
 4. INTERFACE: USB; I2C; OPTIONAL UART
 5. OPERATING VOLTAGE: 3.3V(CTP I2C); 5.0V(CTP USB);

GENERAL NOTES:
 1. MODULE SURFACE LUMINANCE: 800 cd/m²
 2. OPERATING TEMPERATURE: -20°C ~ 70°C
 3. STORAGE TEMPERATURE: -30°C ~ 80°C
 4. WITHOUT INDIVIDUAL TOLERANCE: ±0.3mm[0.012inch]
 5. RoHS COMPLIANT

PN: RVT43HLTFWCA0

SN:

DRAWN: M.Natywa

2021.08.26

1:2.00

CHECKED: K.Brodacka

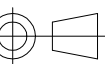
2021.08.27

[mm]

APPR:

ISO A3

P. 1 of 1





| LCD CONNECTOR | | | |
|---------------|-------|---------|-------|
| Pin No. | Desc. | Pin No. | Desc. |
| 1 | VLED- | 21 | B0 |
| 2 | VLED+ | 22 | B1 |
| 3 | GND | 23 | B2 |
| 4 | VDD | 24 | B3 |
| 5 | R0 | 25 | B4 |
| 6 | R1 | 26 | B5 |
| 7 | R2 | 27 | B6 |
| 8 | R3 | 28 | B7 |
| 9 | R4 | 29 | GND |
| 10 | R5 | 30 | DCLK |
| 11 | R6 | 31 | DISP |
| 12 | R7 | 32 | HSYNC |
| 13 | G0 | 33 | VSYNC |
| 14 | G1 | 34 | DE |
| 15 | G2 | 35 | NC |
| 16 | G3 | 36 | GND |
| 17 | G4 | 37 | NC |
| 18 | G5 | 38 | NC |
| 19 | G6 | 39 | NC |
| 20 | G7 | 40 | NC |

| TOUCH PANNEL CONNECTOR | | | |
|------------------------|---------------|---------|---------------|
| Pin No. | Desc. | Pin No. | Desc. |
| 1 | USB_GND | 6 | I2C_VDD(3.3V) |
| 2 | USB_VDD(5.0V) | 7 | I2C_RST |
| 3 | USB_D- | 8 | I2C_SCL |
| 4 | USB_D+ | 9 | I2C_INT |
| 5 | I2C_GND | 10 | I2C_SDA |

| CN1 | | | |
|---------|---------------|---------|---------|
| Pin No. | Desc. | Pin No. | Desc. |
| 1 | USB_VDD(5.0V) | 3 | USB_D+ |
| 2 | USB_D- | 4 | USB_GND |