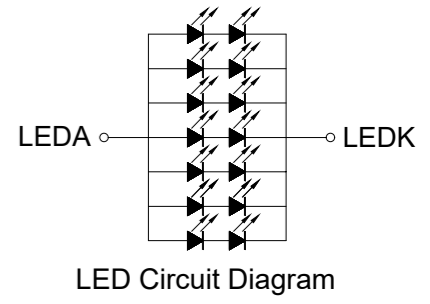
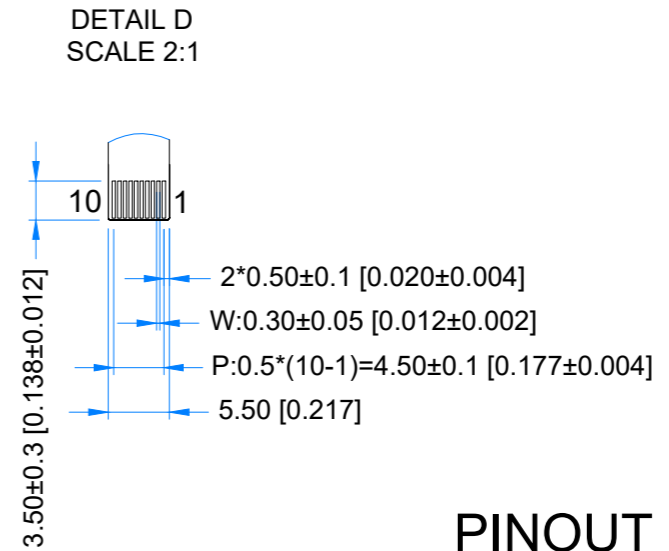
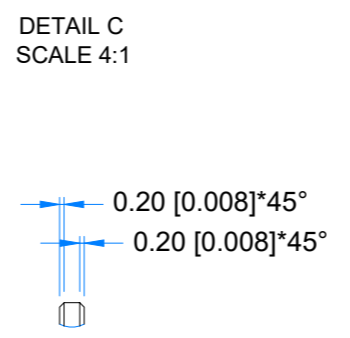
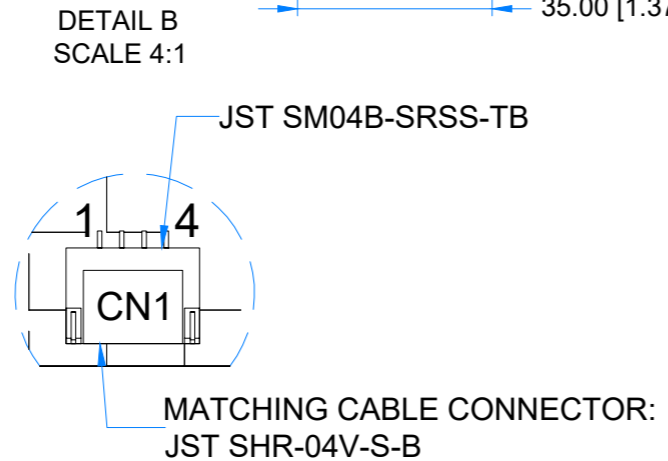
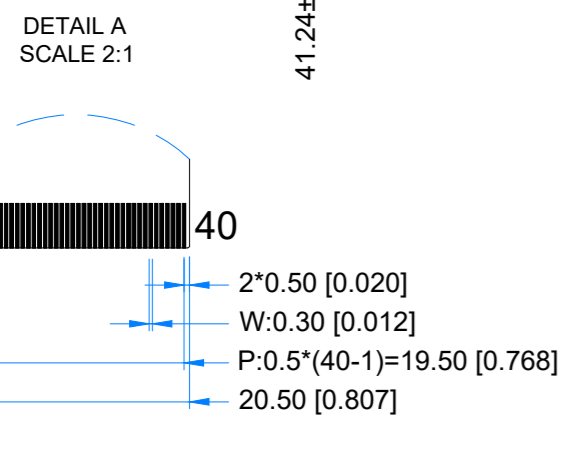
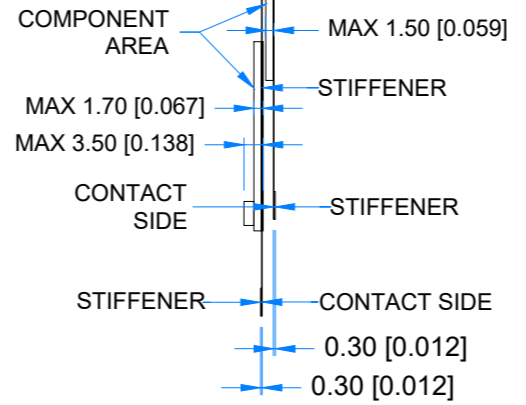
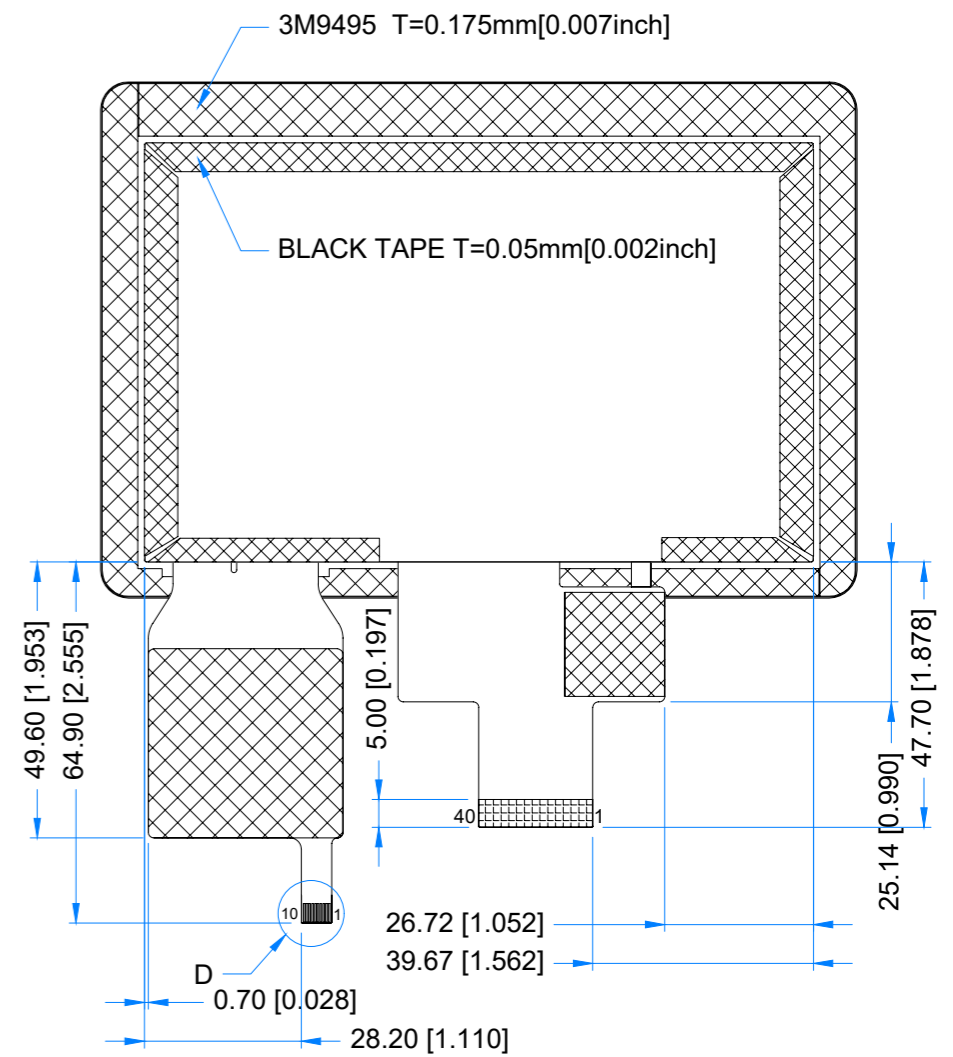
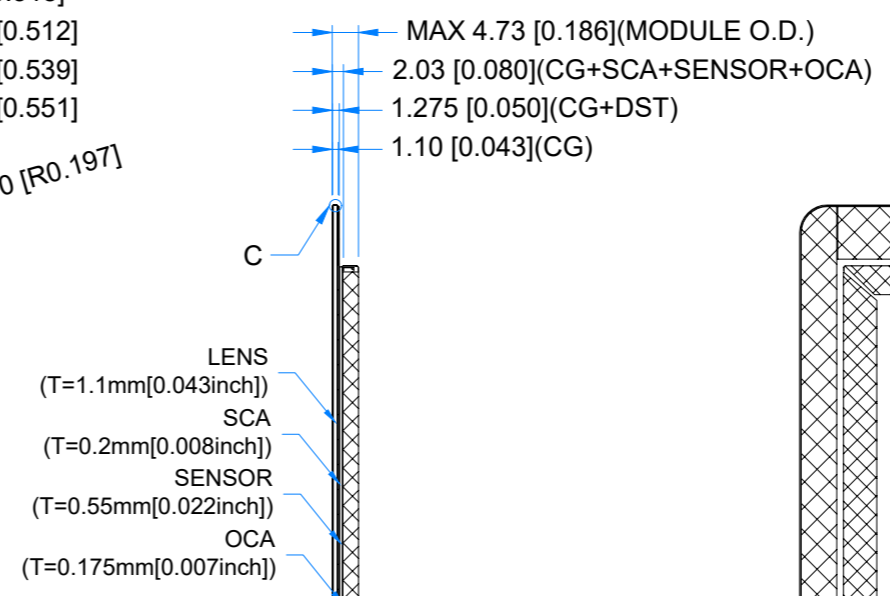
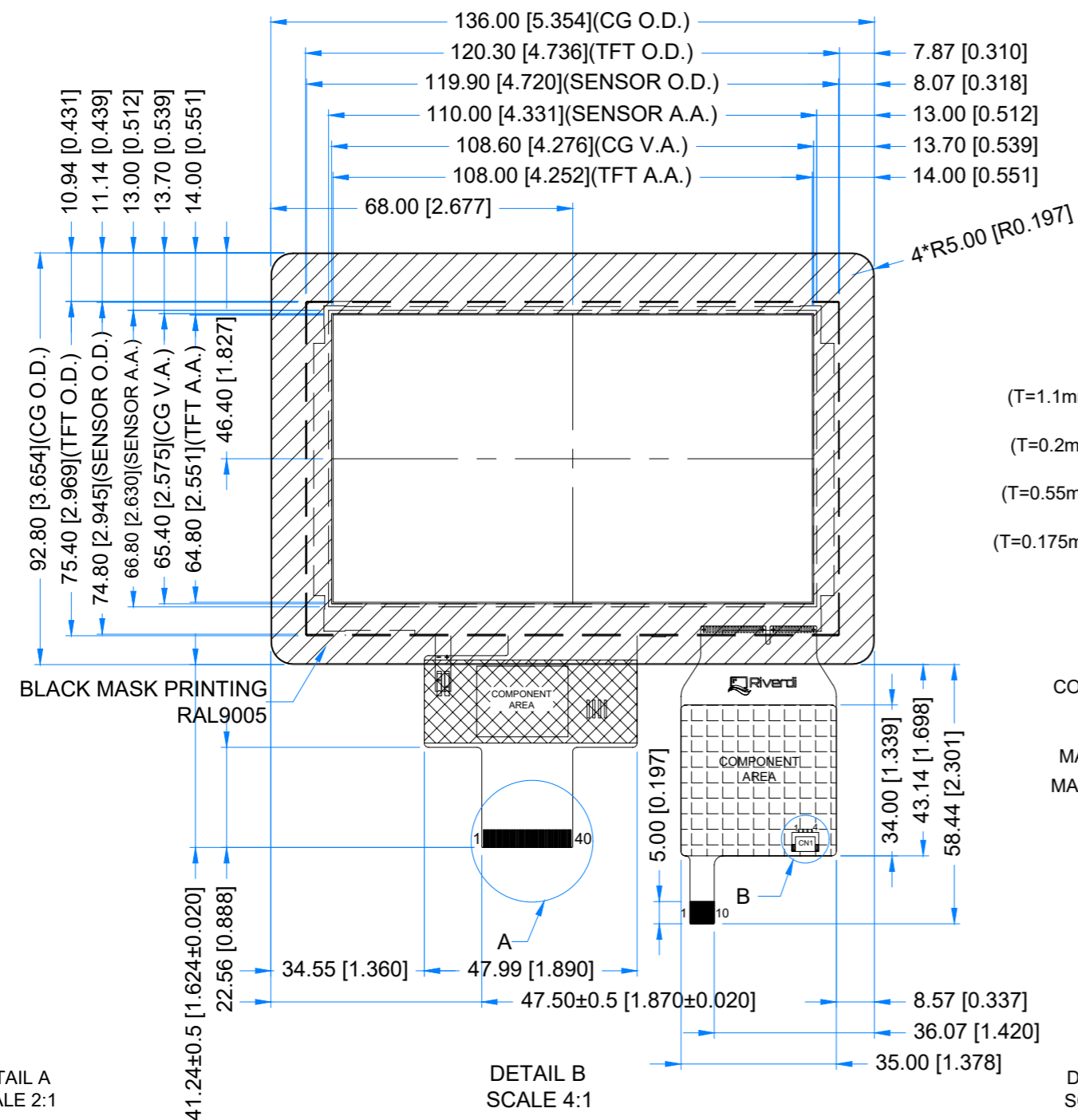


Revision:	Changes:	Date:
1.0	Initial Case	2022.09.15



PINOUT ON THE 2ND PAGE

TFT NOTES:

1. DISPLAY TYPE: TRANSMISSIVE, NORMALLY BLACK, IPS
2. RESOLUTION: 800x480
3. VIEWING ANGLE: FREE
4. MODULE SURFACE LUMINANCE: 850cd/m²
5. DRIVER IC: ST7262-G4
6. LCD INTERFACE: LVDS
7. BACKLIGHT: 14LEDS, V_f=12.0V, I_f=140mA

TP NOTES:

1. TP STRUCTURE: G+G
2. CG THICKNESS: 1.10mm [0.043inch]
3. SURFACE HARDNESS: 7H
4. DRIVER IC: ILI2132A
5. INTERFACE: USB; I2C; OPTIONAL UART
6. OPERATING VOLTAGE: 3.3V(I2C); 5.0V(USB)

GENERAL NOTES:

1. OPTICAL BONDING BETWEEN TFT AND PCAP
2. OPERATING TEMPERATURE: -20°C ~ 70°C
3. STORAGE TEMPERATURE: -30°C ~ 80°C
4. WITHOUT INDIVIDUAL TOLERANCE: ±0.3mm[0.012inch]
5. RoHS3 COMPLIANT

PN: RVT50HQLNWC00-B			
SN:			
DRAWN: M.Natywa	2022.09.15	1:1.36	
CHECKED: Carol Gao	2022.09.27	[mm]	
APPR:			



TFT CONNECTOR			
Pin No.	Desc.	Pin No.	Desc.
1	NC	21	RXIN3+
2	VDD	22	GND
3	VDD	23	NC
4	NC	24	NC
5	RESET	25	GND
6	STBYB	26	NC
7	GND	27	NC
8	RXIN0-	28	SELB
9	RXIN0+	29	NC
10	GND	30	GND
11	RXIN1-	31	LEDK
12	RXIN1+	32	LEDK
13	GND	33	L/R
14	RXIN2-	34	U/D
15	RXIN2+	35	NC
16	GND	36	NC
17	RXCLKIN-	37	NC
18	RXCLKIN+	38	NC
19	GND	39	LEDA
20	RXIN3-	40	LEDA

TOUCH PANNEL CONNECTOR			
Pin No.	Desc.	Pin No.	Desc.
1	USB_GND	6	I2C_VDD(3.3V)
2	USB_VDD(5.0V)	7	I2C_RST
3	USB_D-	8	I2C_SCL
4	USB_D+	9	I2C_INT
5	I2C_GND	10	I2C_SDA

CN1			
Pin No.	Desc.	Pin No.	Desc.
1	USB_VDD(5.0V)	3	USB_D+
2	USB_D-	4	USB_GND