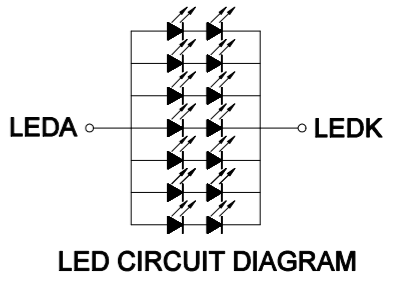
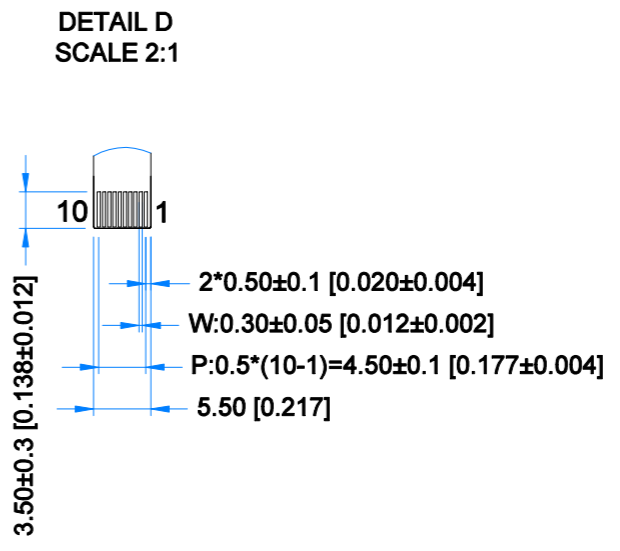
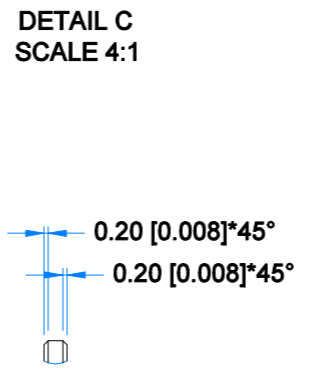
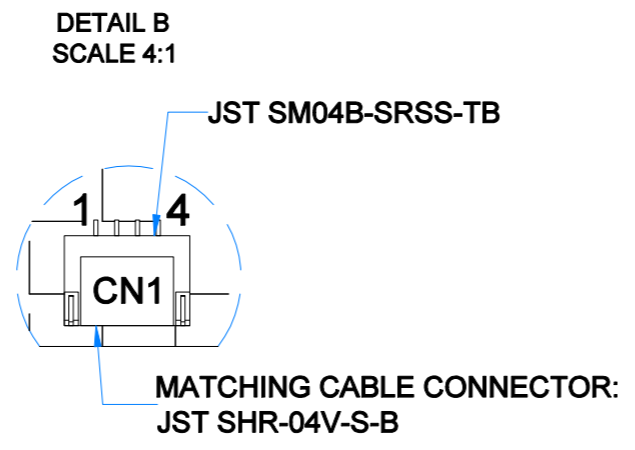
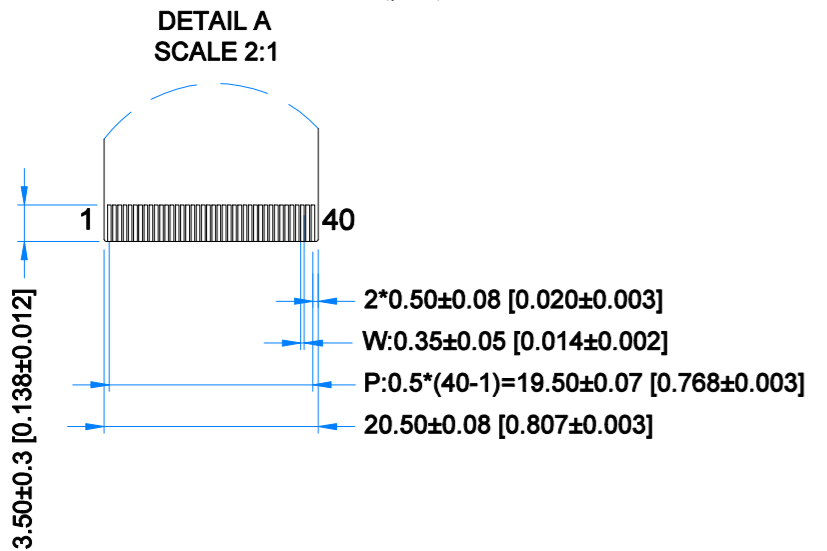
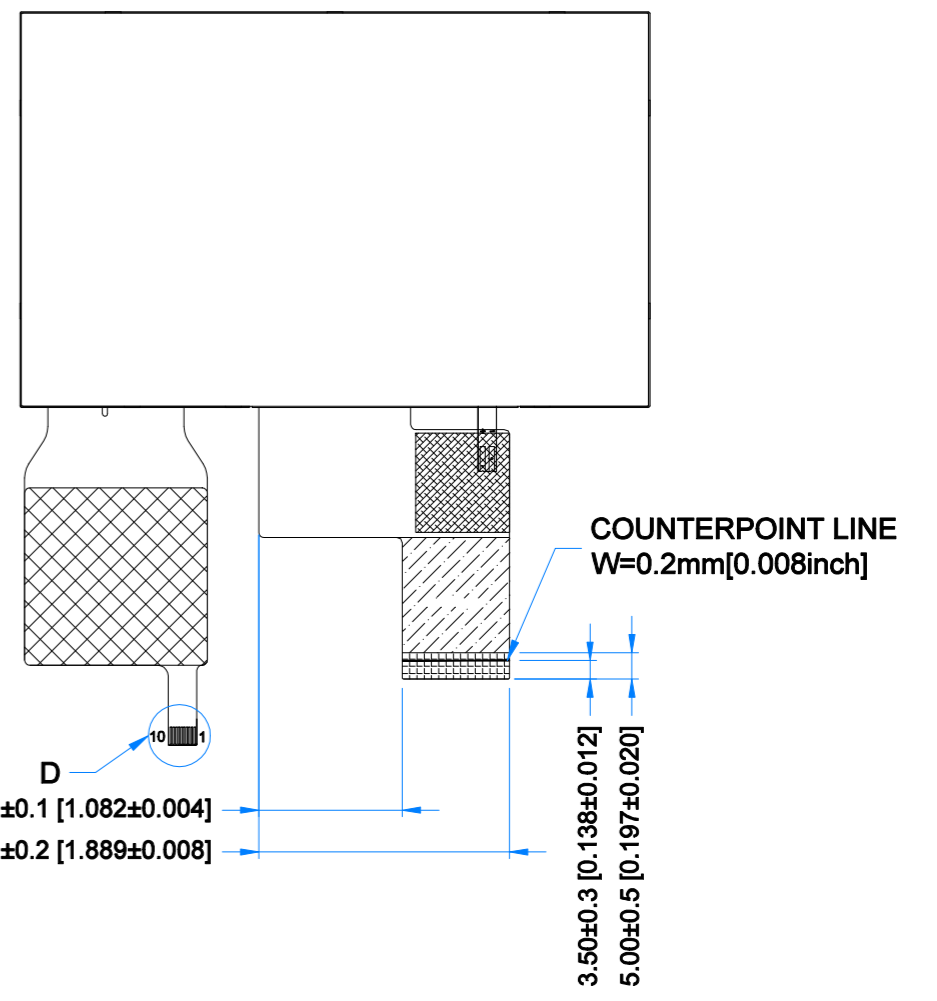
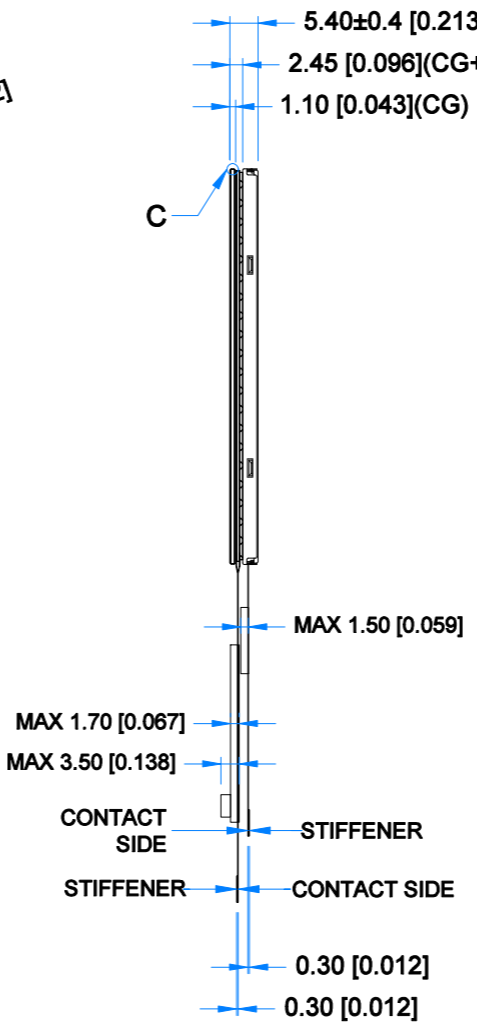
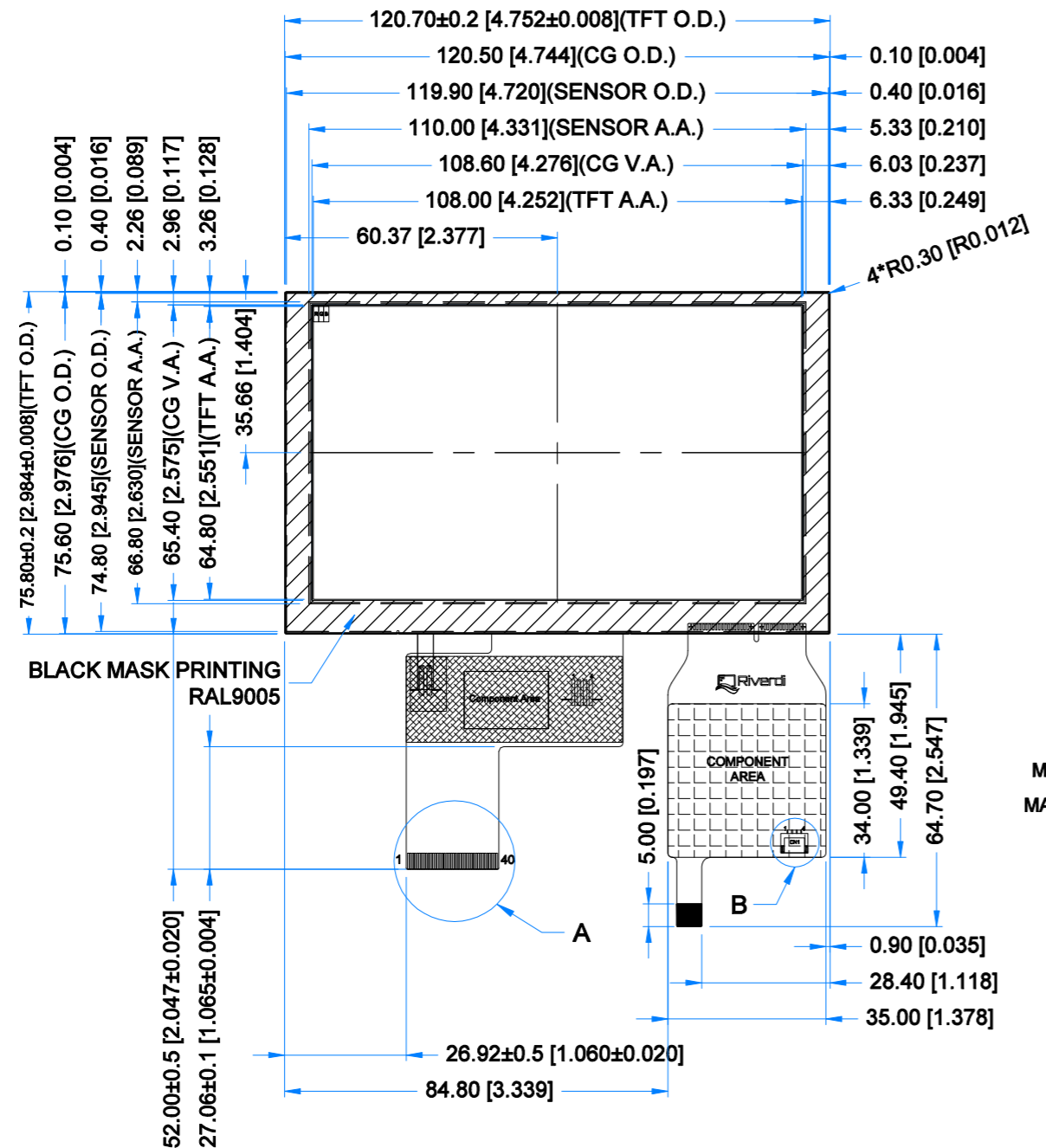


Revision:	Changes:	Date:
1.0	Initial Case	2021.07.09



**TFT NOTES:**  
1. LCD TYPE: TRANSMISSIVE, NORMALLY BLACK, IPS  
2. RESOLUTION: 800x480  
3. VIEWING ANGLE: FREE  
4. IC CONTROLLER: ST7262-G4  
5. OPERATING VOLTAGE: 3.3V  
6. BACKLIGHT: 14-LED WHITE, Vf = 12.0V, If = 140mA

**TP NOTES:**  
1. TP STRUCTURE: G+G  
2. CG THICKNESS: 1.10mm[0.043inch]  
3. DRIVER IC: ILI2132A  
4. INTERFACE: USB; I2C; OPTIONAL UART  
5. OPERATING VOLTAGE: 3.3V(I2C); 5.0V(USB)

**GENERAL NOTES:**  
1. MODULE SURFACE LUMINANCE: 800 cd/m<sup>2</sup>  
2. OPERATING TEMPERATURE: -20°C ~ 70°C  
3. STORAGE TEMPERATURE: -30°C ~ 80°C  
4. WITHOUT INDIVIDUAL TOLERANCE: ±0.3mm[0.012inch]  
5. RoHS COMPLIANT

PN: RVT50HQTNWCA0				
SN:				
DRAWN: M.Natywa	2021.07.09	1:1.45		
CHECKED: K.Brodacka	2021.07.12	[mm]		
APPR:				
			ISO A3	P. 1 of 1



TFT CONNECTOR			
Pin No.	Desc.	Pin No.	Desc.
1	VLED-	21	B0
2	VLED+	22	B1
3	GND	23	B2
4	VDD	24	B3
5	R0	25	B4
6	R1	26	B5
7	R2	27	B6
8	R3	28	B7
9	R4	29	GND
10	R5	30	DCLK
11	R6	31	DISP
12	R7	32	HSYNC
13	G0	33	VSYNC
14	G1	34	DE
15	G2	35	NC
16	G3	36	GND
17	G4	37	NC
18	G5	38	NC
19	G6	39	NC
20	G7	40	NC

TOUCH PANNEL CONNECTOR			
Pin No.	Desc.	Pin No.	Desc.
1	USB_GND	6	I2C_VDD(3.3V)
2	USB_VDD(5.0V)	7	I2C_RST
3	USB_D-	8	I2C_SCL
4	USB_D+	9	I2C_INT
5	I2C_GND	10	I2C_SDA

CN1			
Pin No.	Desc.	Pin No.	Desc.
1	USB_VDD(5.0V)	3	USB_D+
2	USB_D-	4	USB_GND