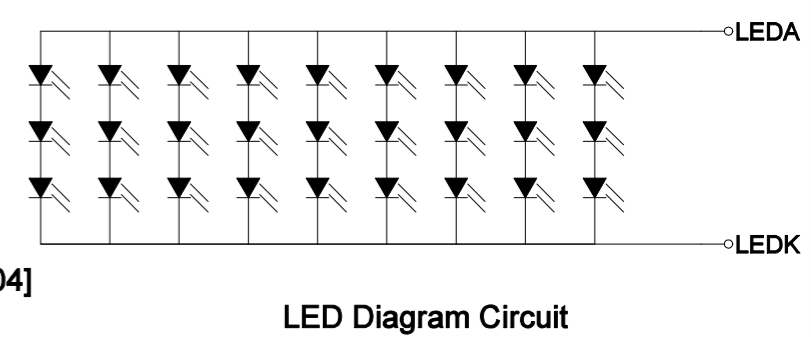
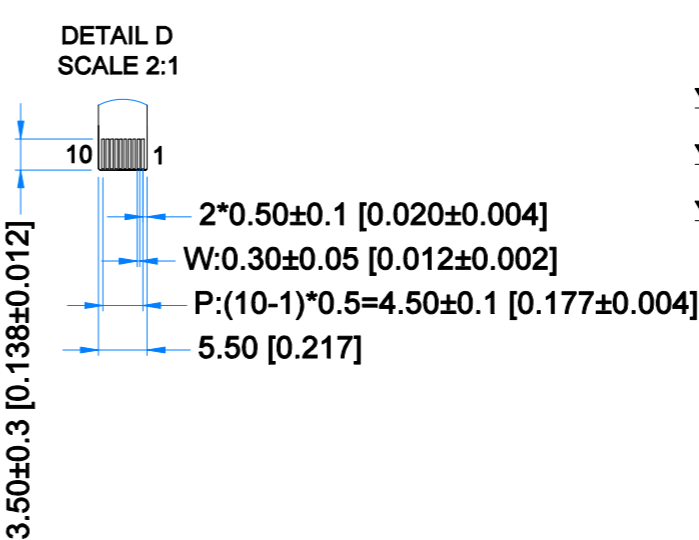
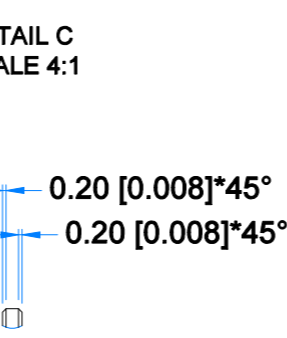
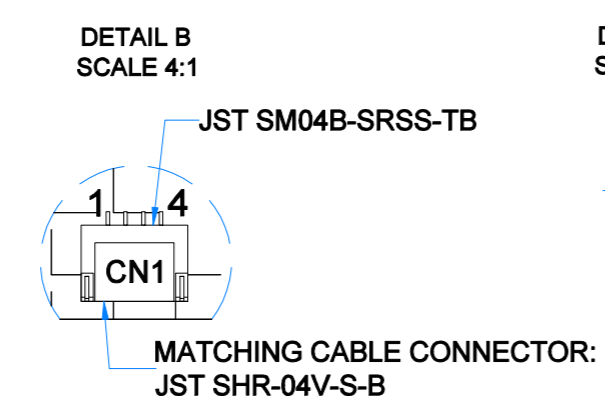
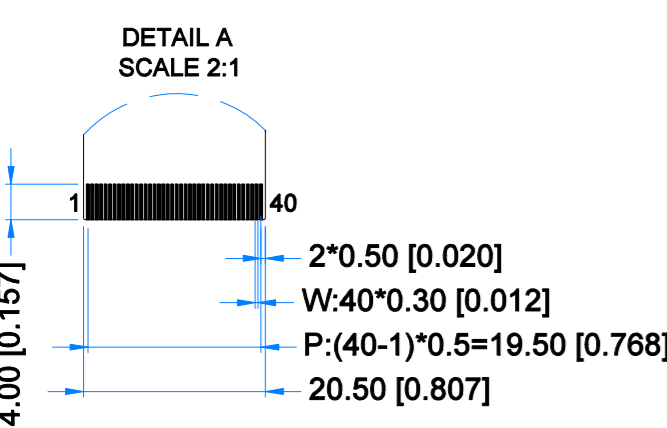
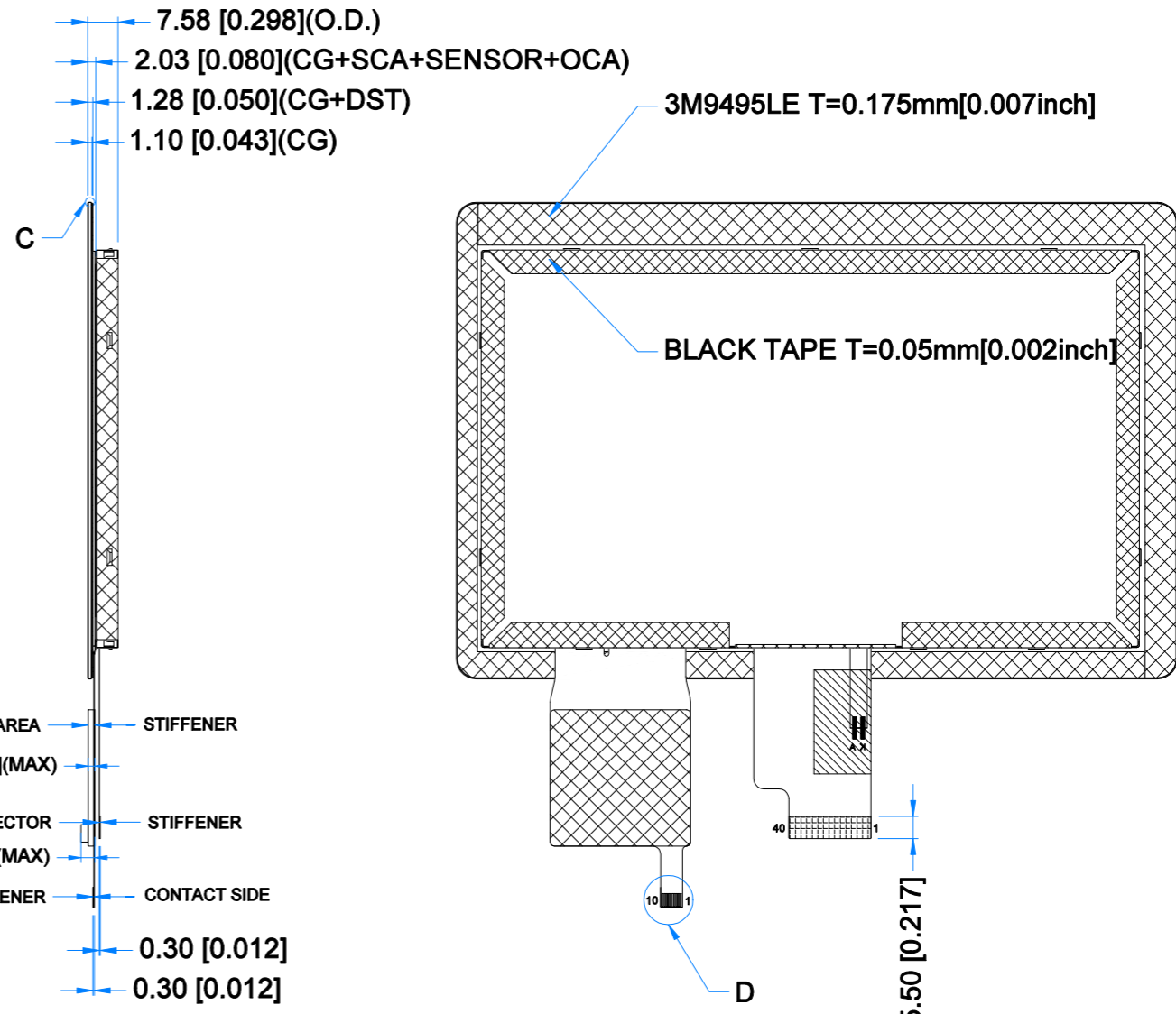
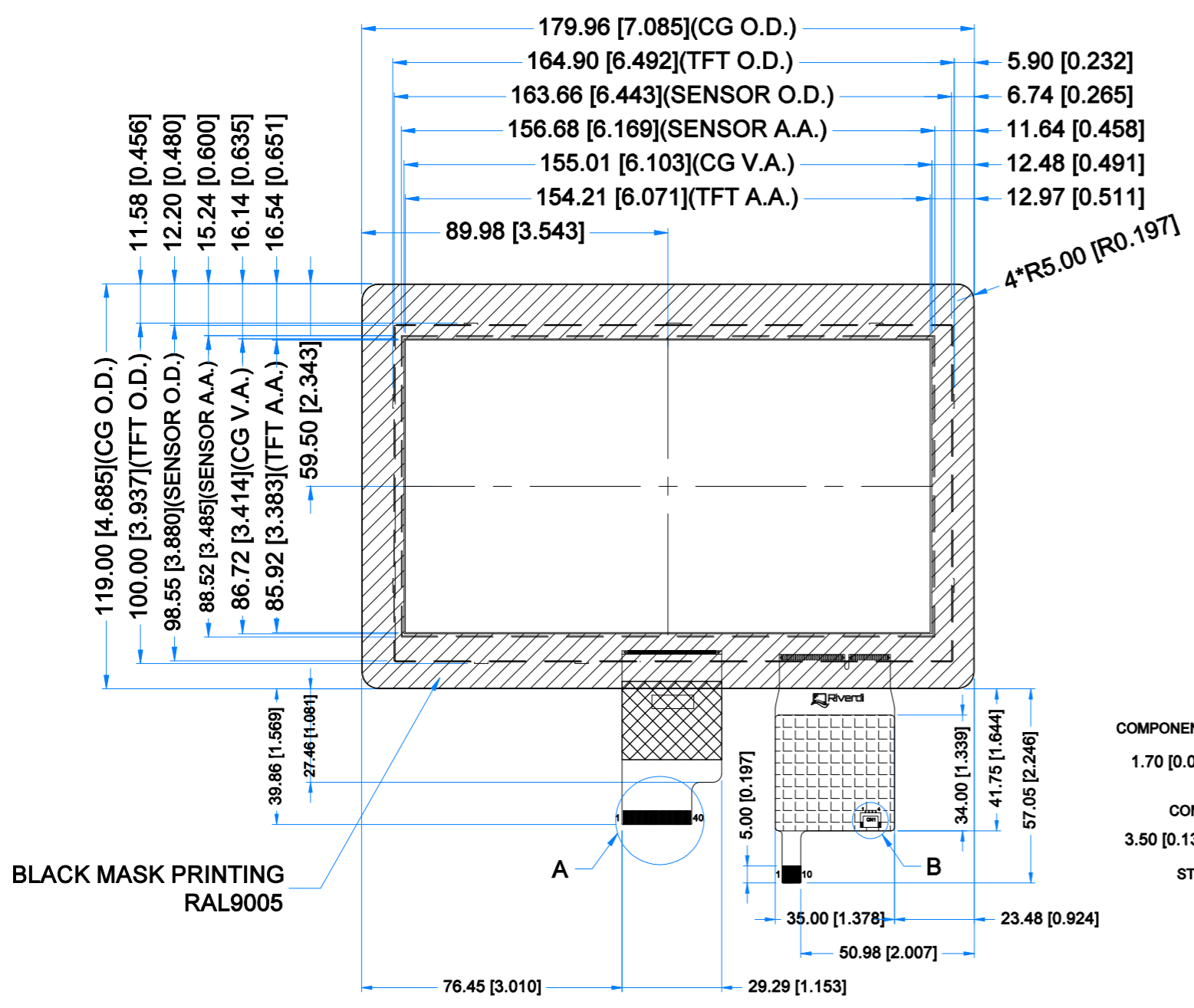


Revision:	Changes:	Date:
1.0	Initial Case	2020.08.07
1.1	Dimensions Overhaul	2021.06.25



TFT NOTES:

- LCD TYPE: TRANSMISSIVE, NORMALLY BLACK, IPS
- RESOLUTION: 1024x600
- VIEWING ANGLE: FREE
- IC CONTROLLER: EK79001HK+EK73215BCGA
- OPERATION VOLTAGE: 3.3V
- BACKLIGHT: 27PCS LED, V_F=9.6V, I_F=270mA

TP NOTES:

- TP STRUCTURE: G+G
- CG THICKNESS: 1.10 mm
- DRIVER IC: ILI2132A
- INTERFACE: USB/I2C/OPTIONAL UART
- OPERATING VOLTAGE: 3.3V(CTP I2C); 5.0V(CTP USB)

GENERAL NOTES:

- MODULE SURFACE LUMINANCE: 850 cd/m²
- OPERATING TEMPERATURE: -20°C ~ 70°C
- STORAGE TEMPERATURE: -30°C ~ 80°C
- WITHOUT INDIVIDUAL TOLERANCE:
±0.3mm[0.012inch]
- RoHS COMPLIANT

PN: RVT70HSLNWC00-B			
SN:			
DRAWN: M.Natywa	2021.06.25	1:1.70	
CHECKED: K.Brodacka	2021.07.07	[mm]	
APPR:		ISO A3	



TFT CONNECTOR			
Pin No.	Desc.	Pin No.	Desc.
1	VCOM	21	RXIN3+
2	VDD	22	GND
3	VDD	23	NC
4	NC	24	NC
5	RESET	25	GND
6	STBYB	26	NC
7	GND	27	NC
8	RXINO-	28	SELB
9	RXINO+	29	AVDD
10	GND	30	GND
11	RXIN1-	31	LED-
12	RXIN1+	32	LED-
13	GND	33	L/R
14	RXIN2-	34	U/D
15	RXIN2+	35	VGL
16	GND	36	NC
17	RXCLKIN-	37	NC
18	RXCLKIN+	38	VGH
19	GND	39	LED+
20	RXIN3-	40	LED+

TOUCH PANNEL CONNECTOR			
Pin No.	Desc.	Pin No.	Desc.
1	USB_GND	6	I2C_VDD(3.3V)
2	USB_VDD(5.0V)	7	I2C_RST
3	USB_D-	8	I2C_SCL
4	USB_D+	9	I2C_INT
5	I2C_GND	10	I2C_SDA

CN1			
Pin No.	Desc.	Pin No.	Desc.
1	USB_VDD(5.0V)	3	USB_D+
2	USB_D-	4	USB_GND