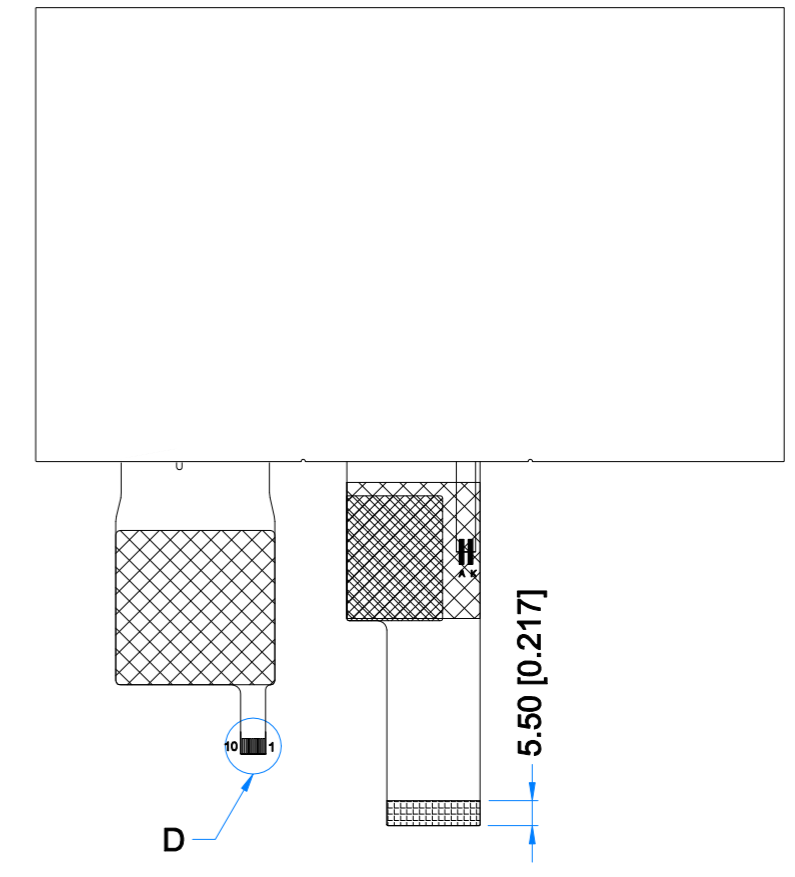
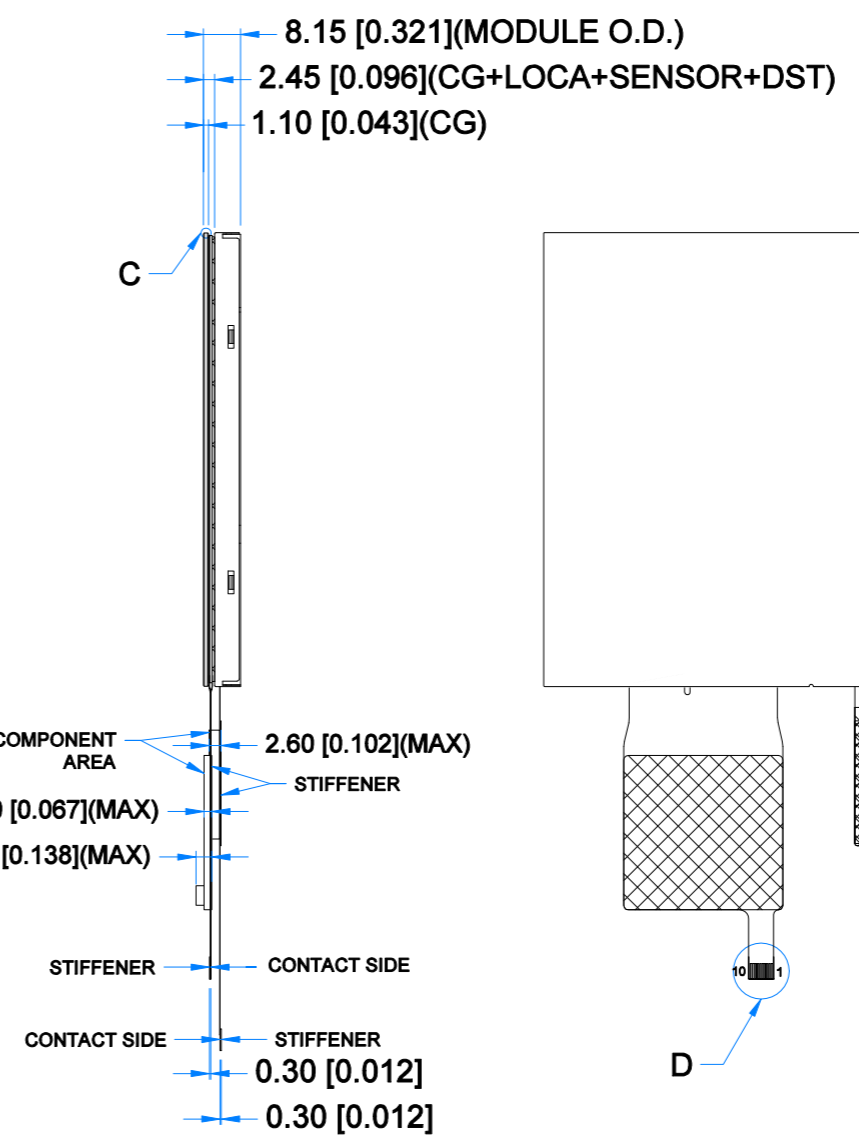
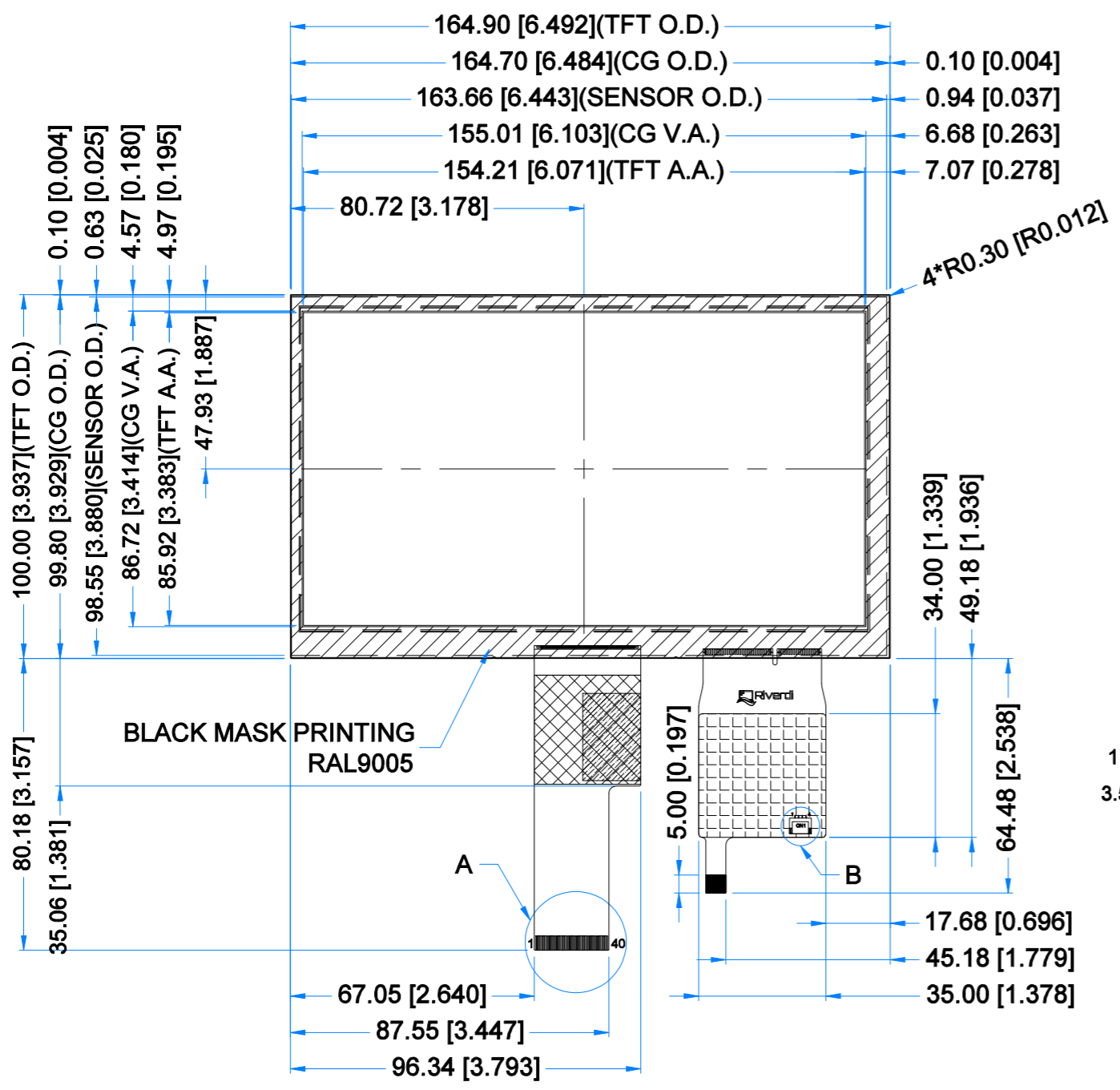
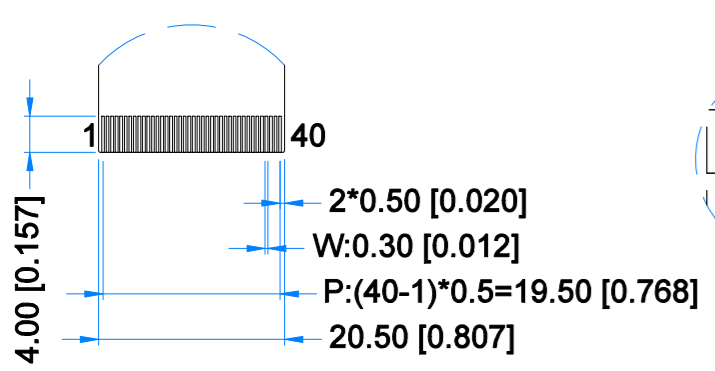


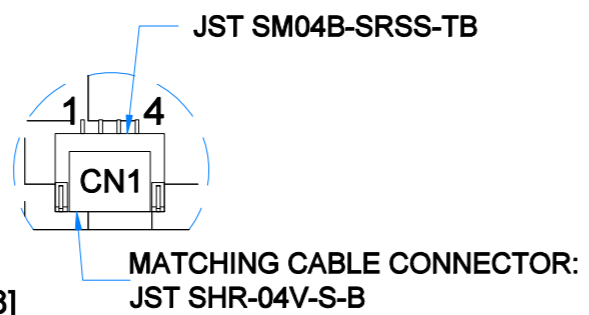
Revision:	Changes:	Date:
1.0	Initial Case	2021.04.19



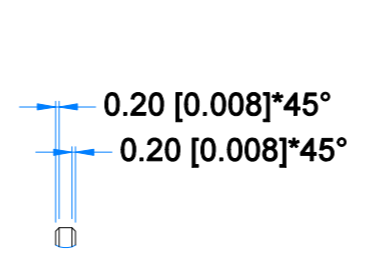
DETAIL A
SCALE 2:1



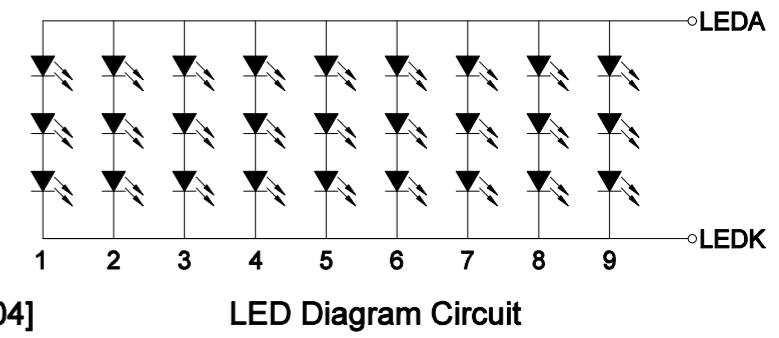
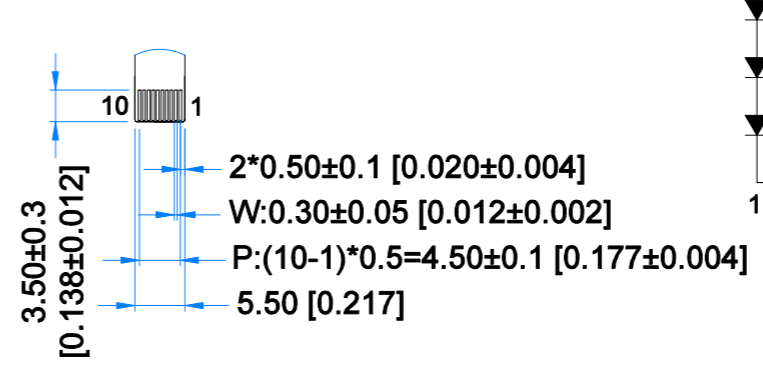
DETAIL B
SCALE 4:1



DETAIL C
SCALE 4:1



DETAIL D
SCALE 2:1



PINOUT ON THE 2ND PAGE

TFT NOTES:
1. LCD TYPE: TRANSMISSIVE, NORMALLY BLACK,IPS
2. RESOLUTION: 1024x800
3. VIEWING ANGLE: FREE
4. IC CONTROLLER:EK79007AD3+EK73217BCGA
5. OPERATING VOLTAGE: 3.3V
6. INTERFACE: MIPI
7. BACKLIGHT: 27 LEDS WHITE, Vf = 9.6V, If = 270mA

TP NOTES:
1. TP STRUCTURE: G+G
2. CG THICKNESS: 1.10 mm
3. DRIVER IC: ILI2132A
4. INTERFACE: USB /I2C/OPTIONAL UART
3. OPERATING VOLTAGE: 3.3V(CTP I2C); 5.0V(CTP USB)

GENERAL NOTES:
1. MODULE SURFACE LUMINANCE: 800 cd/m²
2. OPERATING TEMPERATURE: -20°C ~ 70°C
3. STORAGE TEMPERATURE: -30°C ~ 80°C
4. WITHOUT INDIVIDUAL TOLERANCE: ±0.3mm
5. RoHS3 COMPLIANT

PN: RVT70HSMNWCA0		
SN:		
DRAWN: M.Natywa	2021.04.19	1:1.67
CHECKED: Carol	2021.04.20	[mm]
APPR:	ISO A3	P. 1 of 1



TFT CONNECTOR			
Pin No.	Desc.	Pin No.	Desc.
1	NC	21	MIPI_D3P
2	VDD	22	GND
3	VDD	23	NC
4	NC	24	NC
5	RESET	25	GND
6	STBYB	26	NC
7	GND	27	NC
8	MIPI_D0N	28	NC
9	MIPI_D0P	29	NC
10	GND	30	GND
11	MIPI_D1N	31	LED-
12	MIPI_D1P	32	LED-
13	GND	33	L/R
14	MIPI_D2N	34	U/D
15	MIPI_D2P	35	NC
16	GND	36	NC
17	MIPI_DCLKN	37	NC
18	MIPI_DCLKP	38	NC
19	GND	39	LED+
20	MIPI_D3N	40	LED+

TOUCH PANNEL CONNECTOR			
Pin No.	Desc.	Pin No.	Desc.
1	USB_GND	6	I2C_VDD(3.3V)
2	USB_VDD(5.0V)	7	I2C_RST
3	USB_D-	8	I2C_SCL
4	USB_D+	9	I2C_INT
5	I2C_GND	10	I2C_SDA

CN1			
Pin No.	Desc.	Pin No.	Desc.
1	USB_VDD(5.0V)	3	USB_D+
2	USB_D-	4	USB_GND