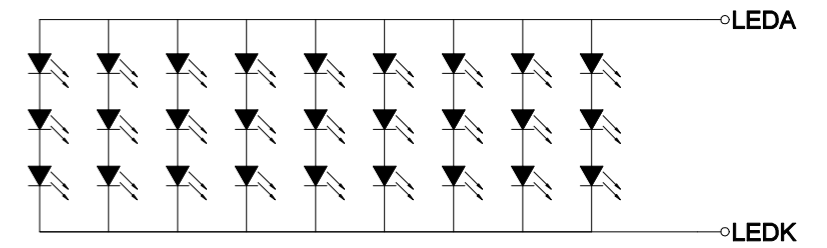
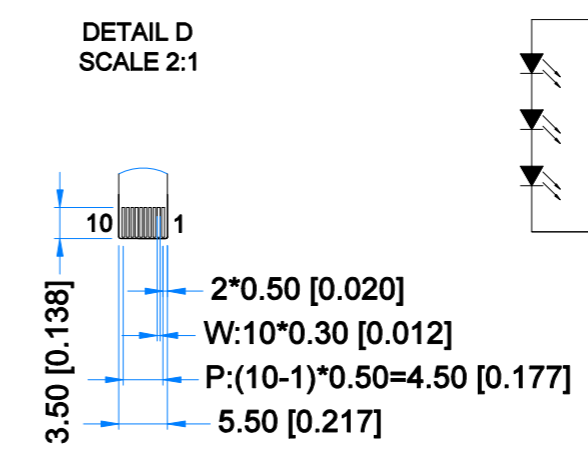
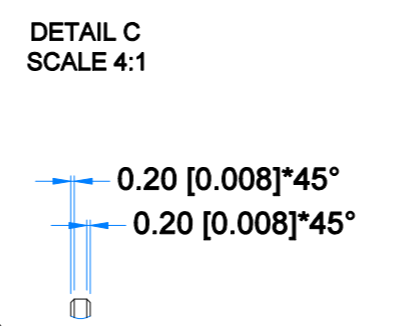
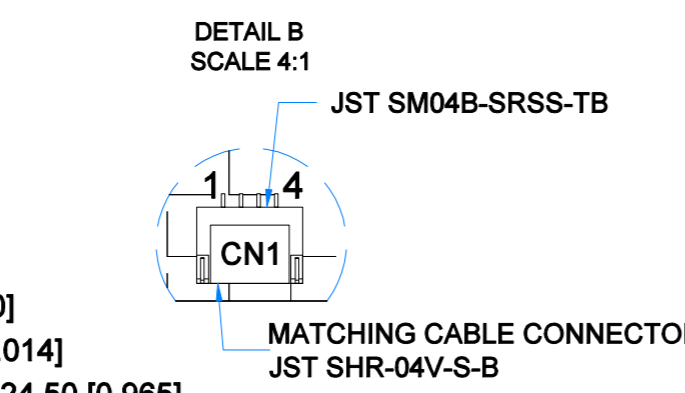
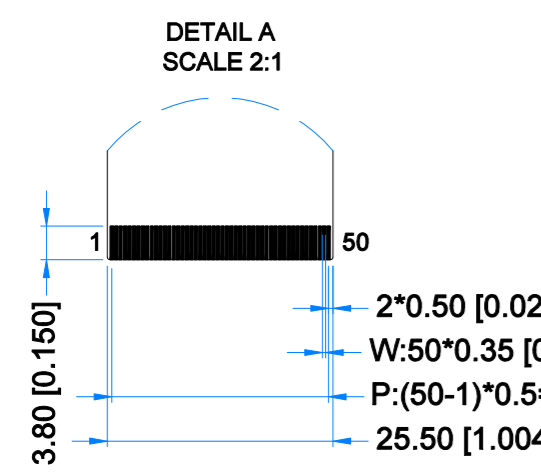
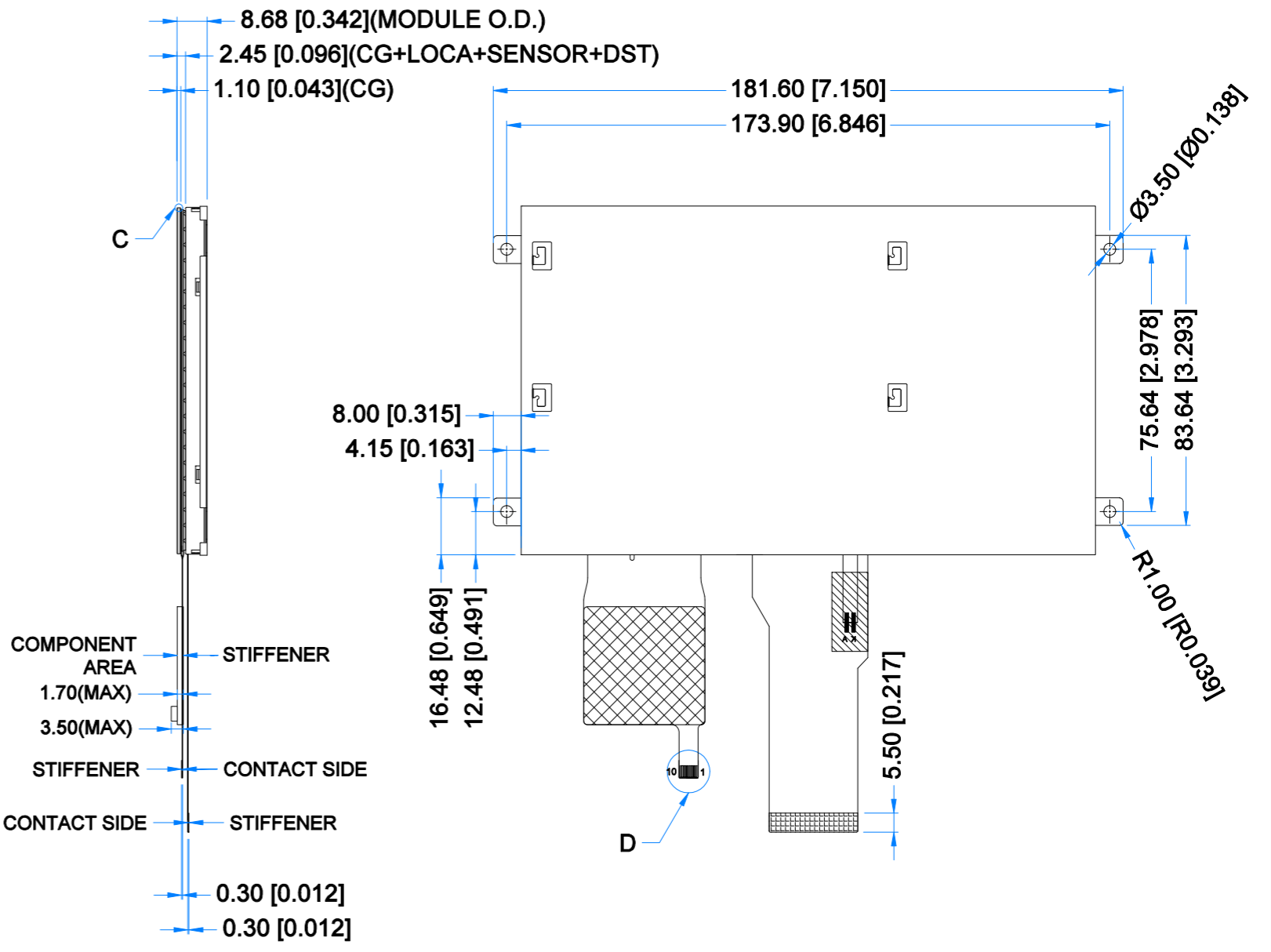
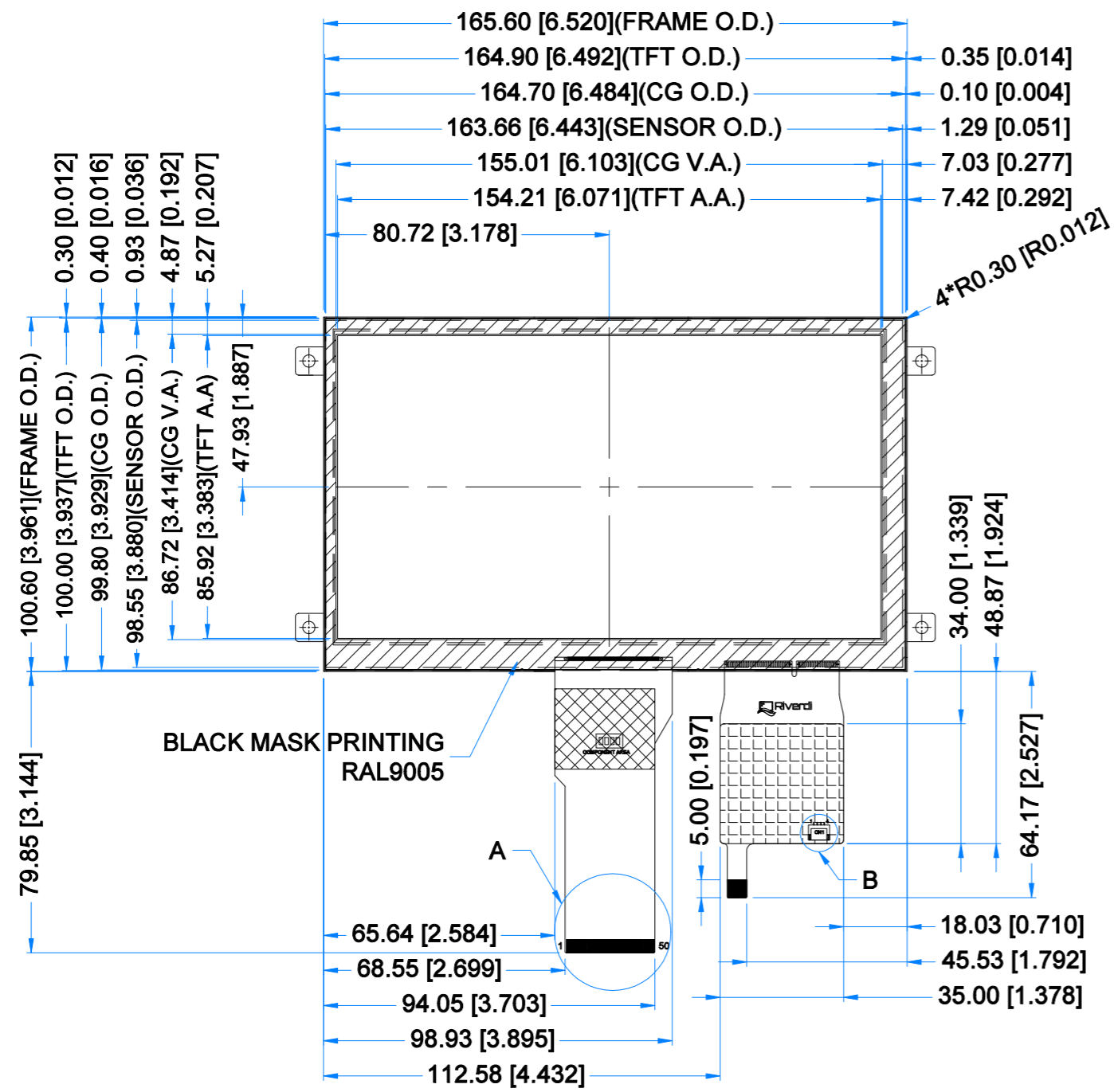


| Revision: | Changes: | Date: |
|-----------|--------------------|------------|
| 1.0 | Initial Case | 2021.01.28 |
| 1.1 | Dimension Overhaul | 2021.04.14 |



PINOUT ON THE 2ND PAGE

TFT NOTES:
 1. LCD TYPE: TRANSMISSIVE, NORMALLY BLACK,IPS
 2. RESOLUTION: 1024x600
 3. VIEWING ANGLE: FREE
 4. IC CONTROLLER:EK79001HK+EK73215BCGA
 5. OPERATING VOLTAGE: 3.3V
 6. INTERFACE:RGB
 7. BACKLIGHT: 27 LEDS WHITE, Vf = 9.6V, If = 270mA

TP NOTES:
 1. TP STRUCTURE: G+G
 2. CG THICKNESS: 1.10 mm
 3. DRIVER IC: ILI2132A
 4. INTERFACE: USB /I2C/OPTIONAL UART
 5. OPERATING VOLTAGE: 3.3V(CTP I2C); 5.0V(CTP USB)

GENERAL NOTES:
 1. MODULE SURFACE LUMINANCE: 800 cd/m²
 2. MOUNTING METAL FRAME THICKNESS: 0.3mm
 3. OPERATING TEMPERATURE: -20°C ~ 70°C
 4. STORAGE TEMPERATURE: -30°C ~ 80°C
 5. WITHOUT INDIVIDUAL TOLERANCE: ±0.3mm
 6. RoHS3 COMPLIANT

| | | | |
|--------------------|------------|--------|-----------|
| PN: RVT70HSTFWCA0 | | | |
| SN: | | | |
| DRAWN: M.Natywa | 2021.04.14 | 1:1.71 | |
| CHECKED: Carol Gao | 2021.04.15 | [mm] | |
| APPR: | | | |
| | | ISO A3 | P. 1 of 1 |



| TFT CONNECTOR | | | |
|---------------|-------|---------|-------|
| Pin No. | Desc. | Pin No. | Desc. |
| 1 | VLED+ | 26 | G1 |
| 2 | VLED+ | 27 | G0 |
| 3 | VLED- | 28 | R7 |
| 4 | VLED- | 29 | R6 |
| 5 | GND | 30 | R5 |
| 6 | VCOM | 31 | R4 |
| 7 | DVDD | 32 | R3 |
| 8 | MODE | 33 | R2 |
| 9 | DE | 34 | R1 |
| 10 | VS | 35 | R0 |
| 11 | HS | 36 | GND |
| 12 | B7 | 37 | DCLK |
| 13 | B6 | 38 | GND |
| 14 | B5 | 39 | L/R |
| 15 | B4 | 40 | U/D |
| 16 | B3 | 41 | VGH |
| 17 | B2 | 42 | VGL |
| 18 | B1 | 43 | AVDD |
| 19 | B0 | 44 | RESET |
| 20 | G7 | 45 | NC |
| 21 | G6 | 46 | VCOM |
| 22 | G5 | 47 | DITHB |
| 23 | G4 | 48 | GND |
| 24 | G3 | 49 | NC |
| 25 | G2 | 50 | NC |

| TOUCH PANNEL CONNECTOR | | | |
|------------------------|---------------|---------|---------------|
| Pin No. | Desc. | Pin No. | Desc. |
| 1 | USB_GND | 6 | I2C_VDD(3.3V) |
| 2 | USB_VDD(5.0V) | 7 | I2C_RST |
| 3 | USB_D- | 8 | I2C_SCL |
| 4 | USB_D+ | 9 | I2C_INT |
| 5 | I2C_GND | 10 | I2C_SDA |

| CN1 | | | |
|---------|---------------|---------|---------|
| Pin No. | Desc. | Pin No. | Desc. |
| 1 | USB_VDD(5.0V) | 3 | USB_D+ |
| 2 | USB_D- | 4 | USB_GND |